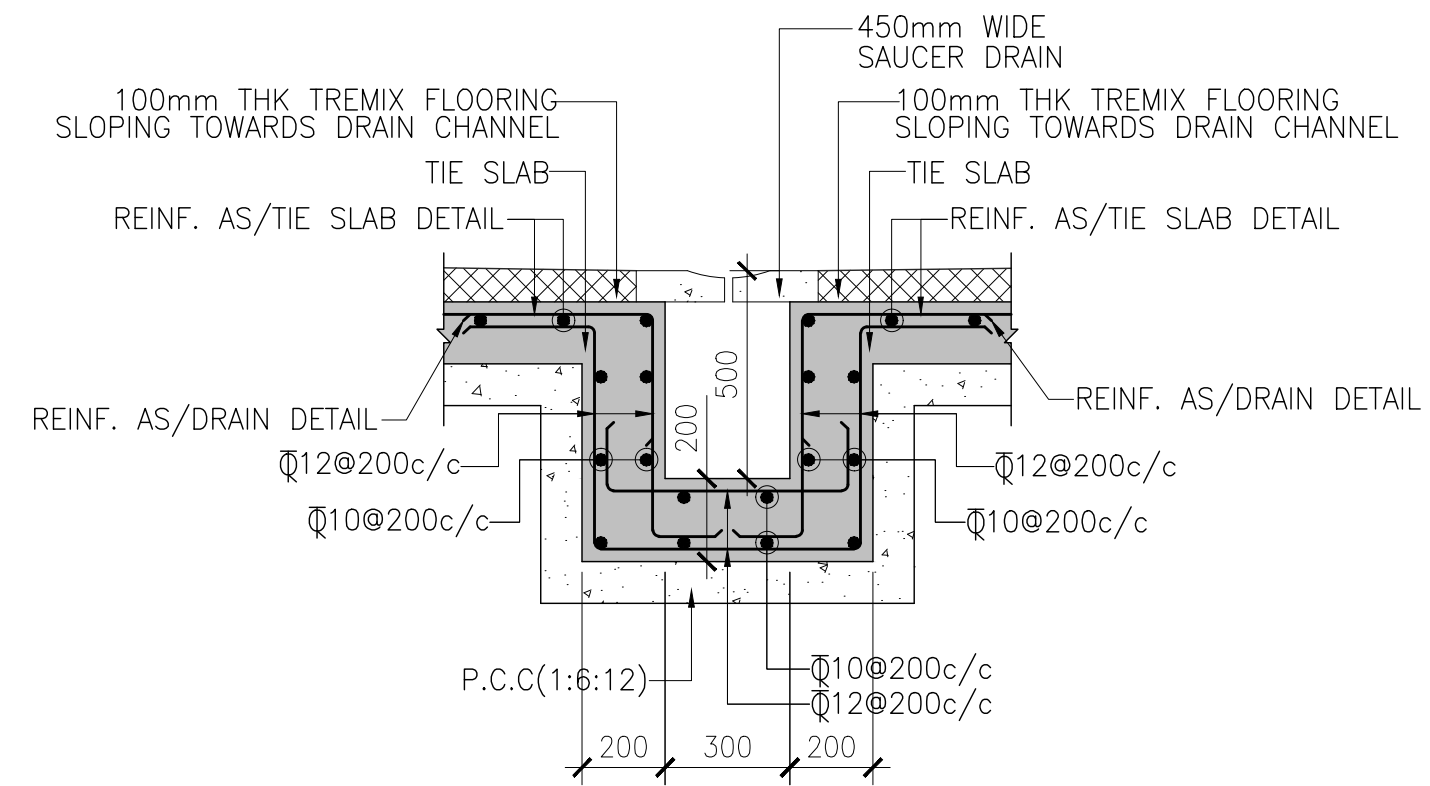
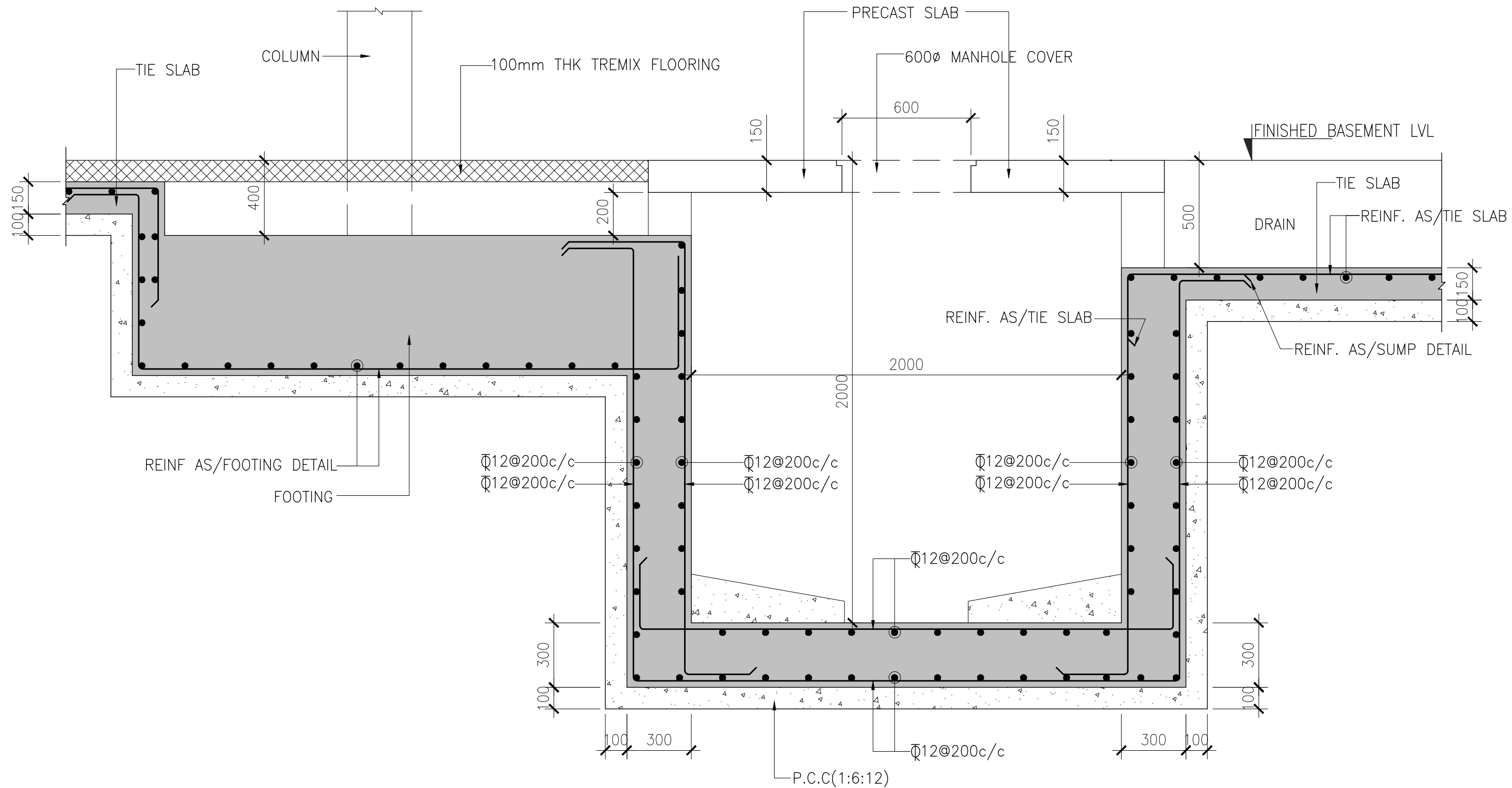


PLAN

TYPICAL PRECAST SUMP COVER DETAIL



TYPICAL DRAIN CHANNEL DETAILS.



TYPICAL SUMP DETAILS.

No.	Date	By	Description
Revisions			
Architects <input type="checkbox"/>			
Structures <input checked="" type="checkbox"/>			
Services <input type="checkbox"/>			
Landscape <input type="checkbox"/>			
Developers			
Job Title			
Drawing Title			
Job No.		Drawing No.	
Drawn YAZDAN	Approved	Checked	Revisions
Date	Scale 1:25	RD	