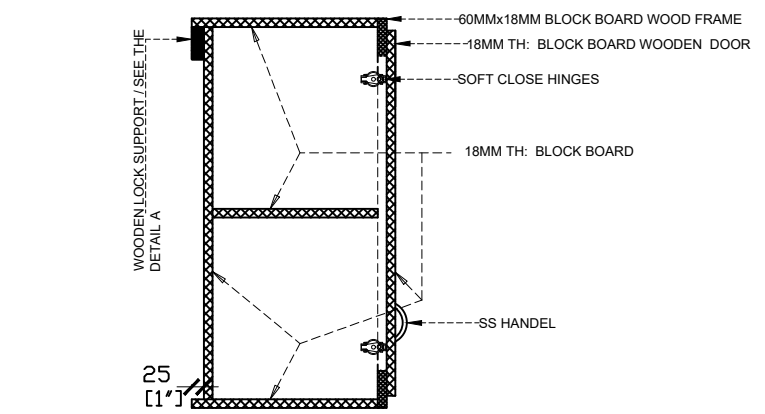
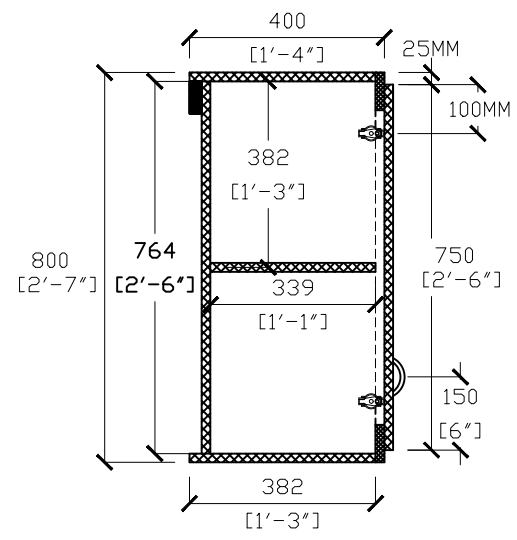


DETAIL A

TRANSPORT DEPARTMENT CUPBOARD



SECTION VIEW (DETAILS)



SECTION VIEW (MEASUREMENTS)

Revision notes:		
Rev:	Date:	Notes:
1	19/07/2020	TRANSPORT DEPARTMENT CUPBOARD DRAWING

Drawn by: Hussain Shakir Hussain Sifaz
Client: Hulhumale Hospital

Project: TRANSPORT CUPBOARD
Drawing Title: FABRICATION

Date: 19/07/2020
Scale @ A3:
Revision: 1

