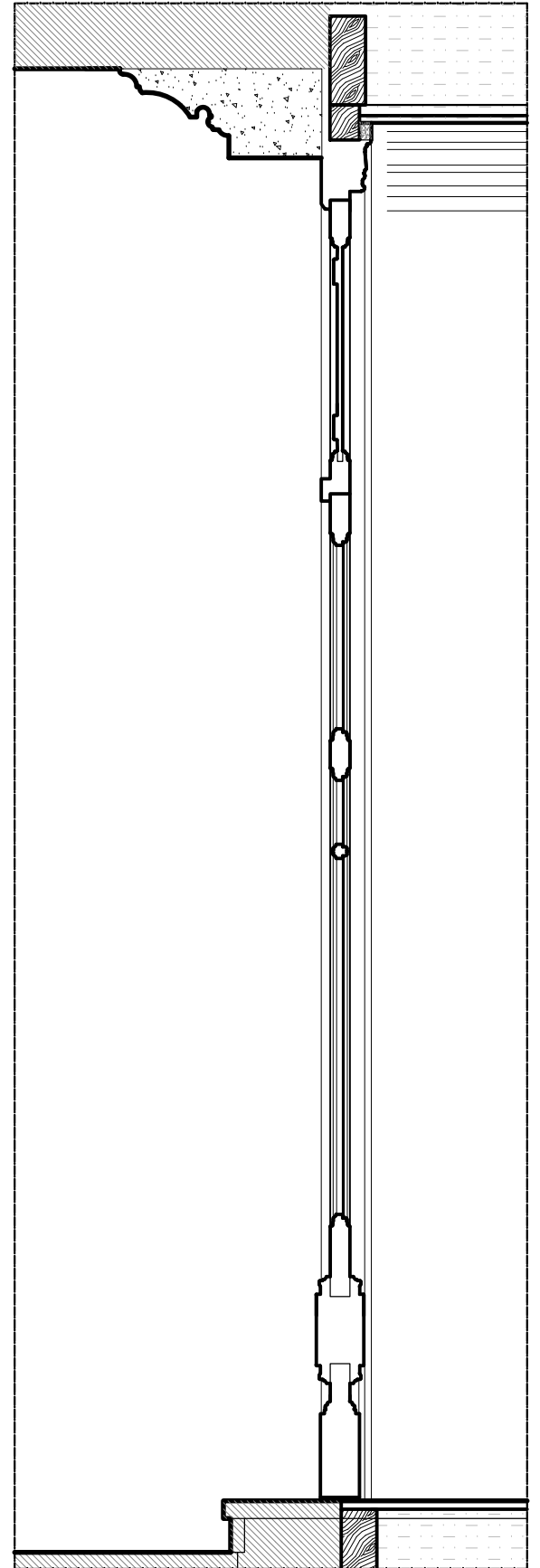
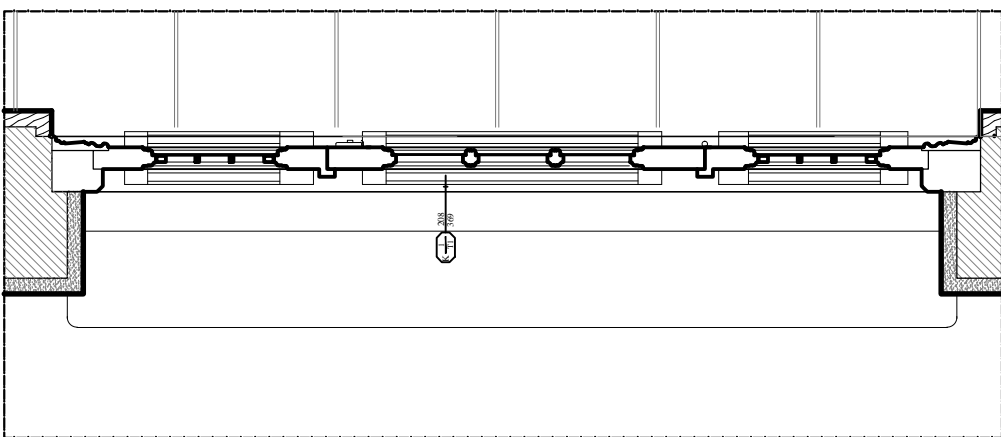


EXTERIOR ELEVATION



I - I SECTION



PLAN