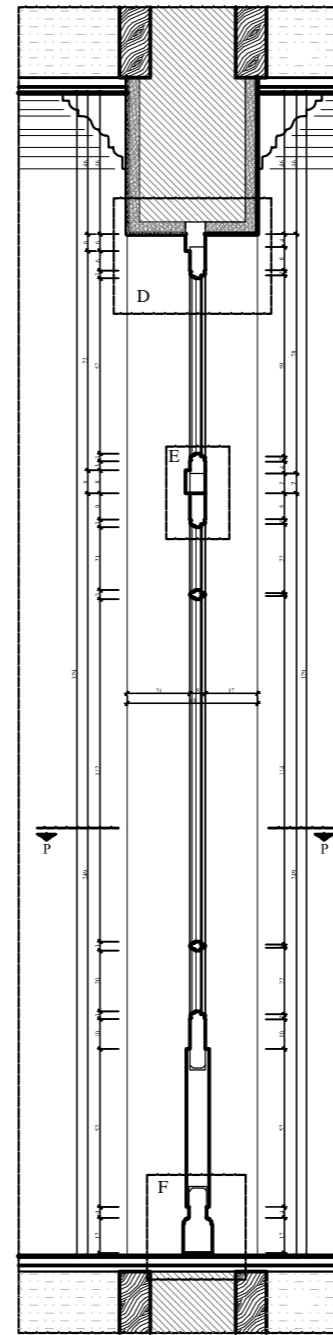
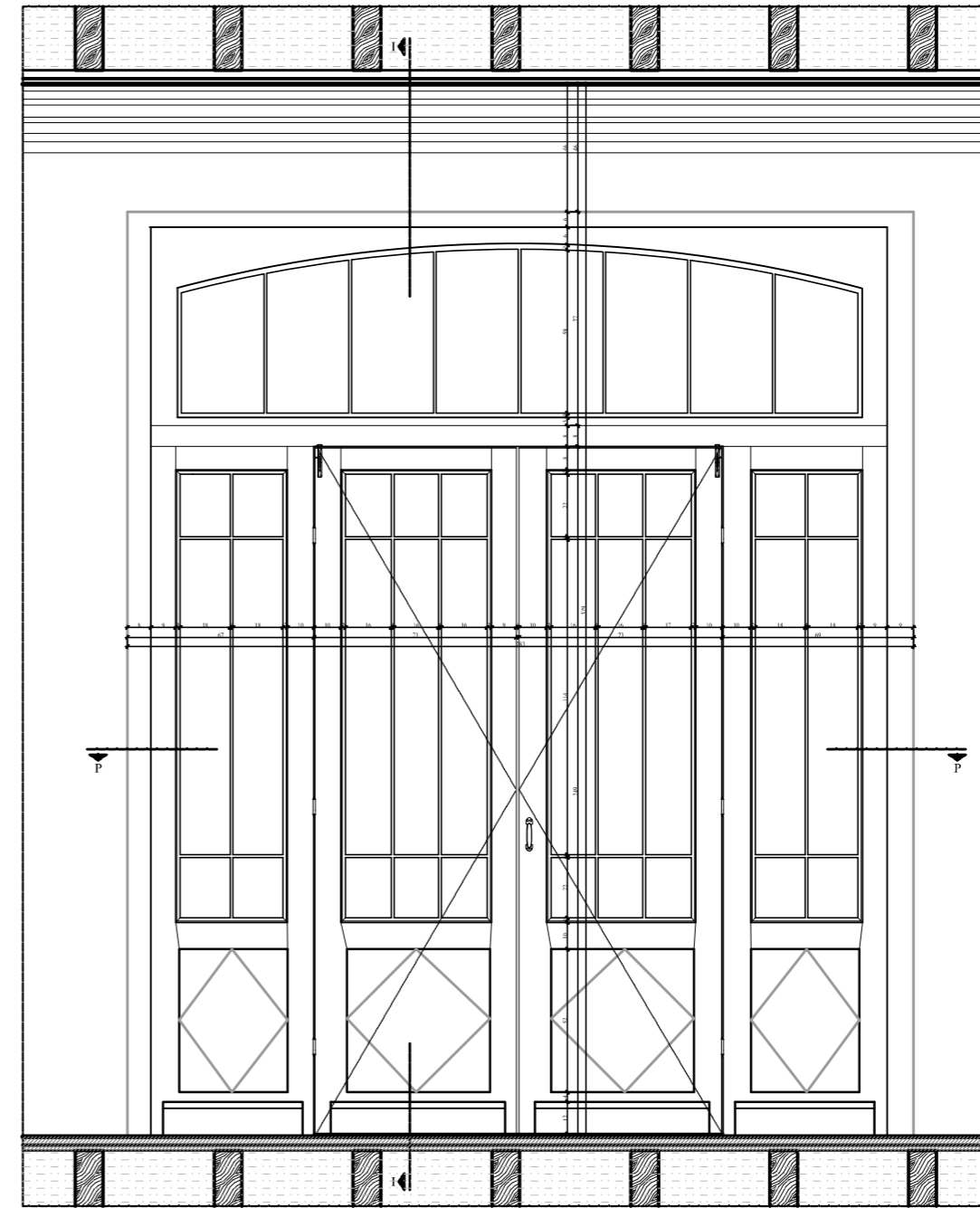


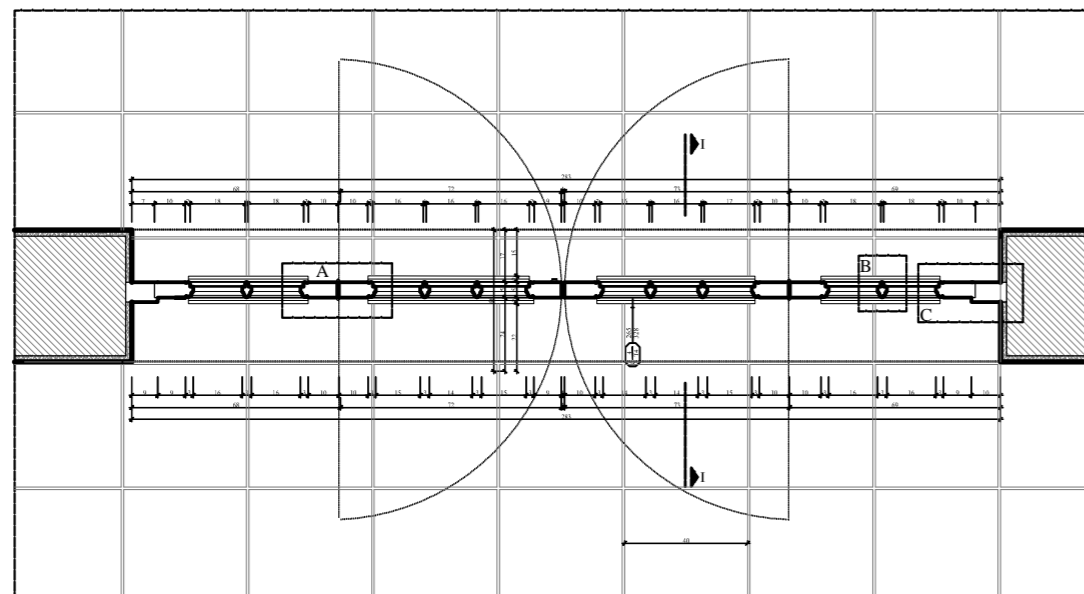
EXTERIOR ELEVATION



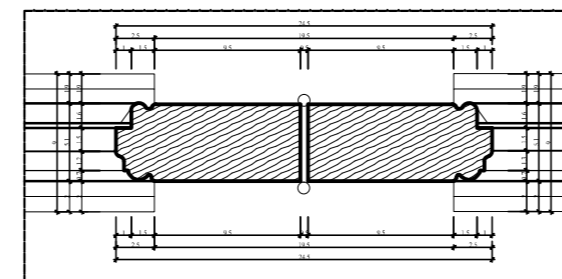
1-1 SECTION



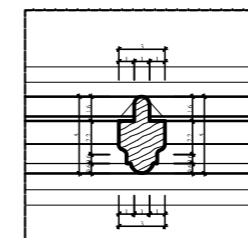
INTERIOR ELEVATION



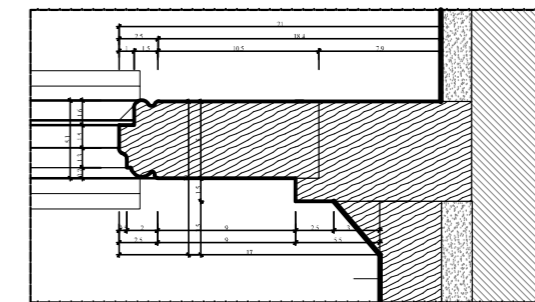
PLAN



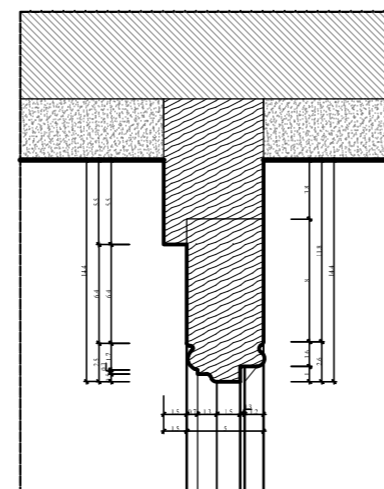
A - DETAIL
SCALE: 1/2



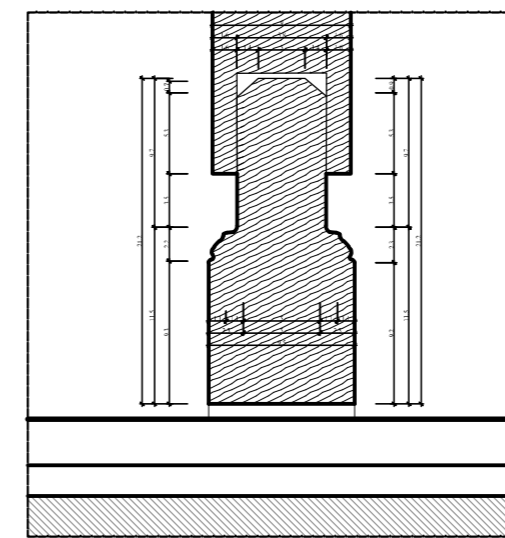
B - DETAIL
SCALE: 1/2



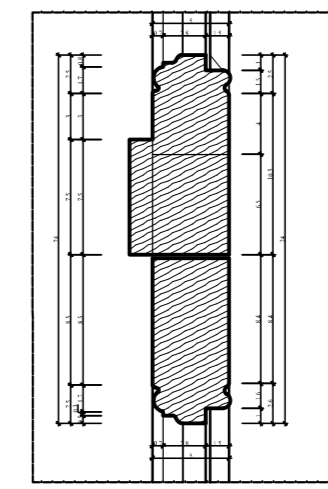
C - DETAIL
SCALE: 1/2



D - DETAIL
SCALE: 1/2



E - DETAIL
SCALE: 1/2



F - DETAIL
SCALE: 1/2

DOOR DETAIL - 2
SCALE: 1/10