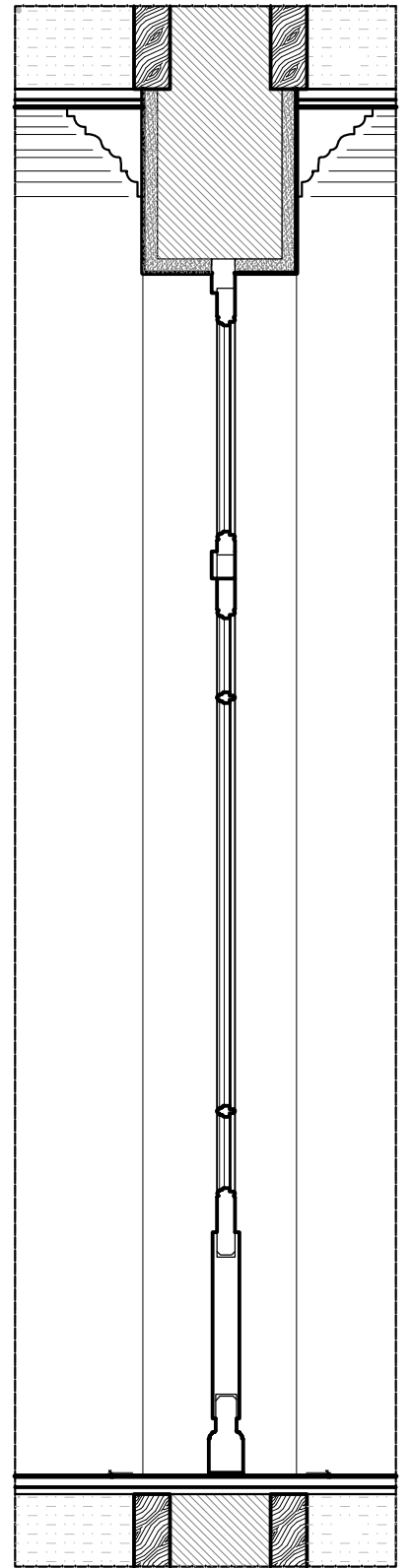
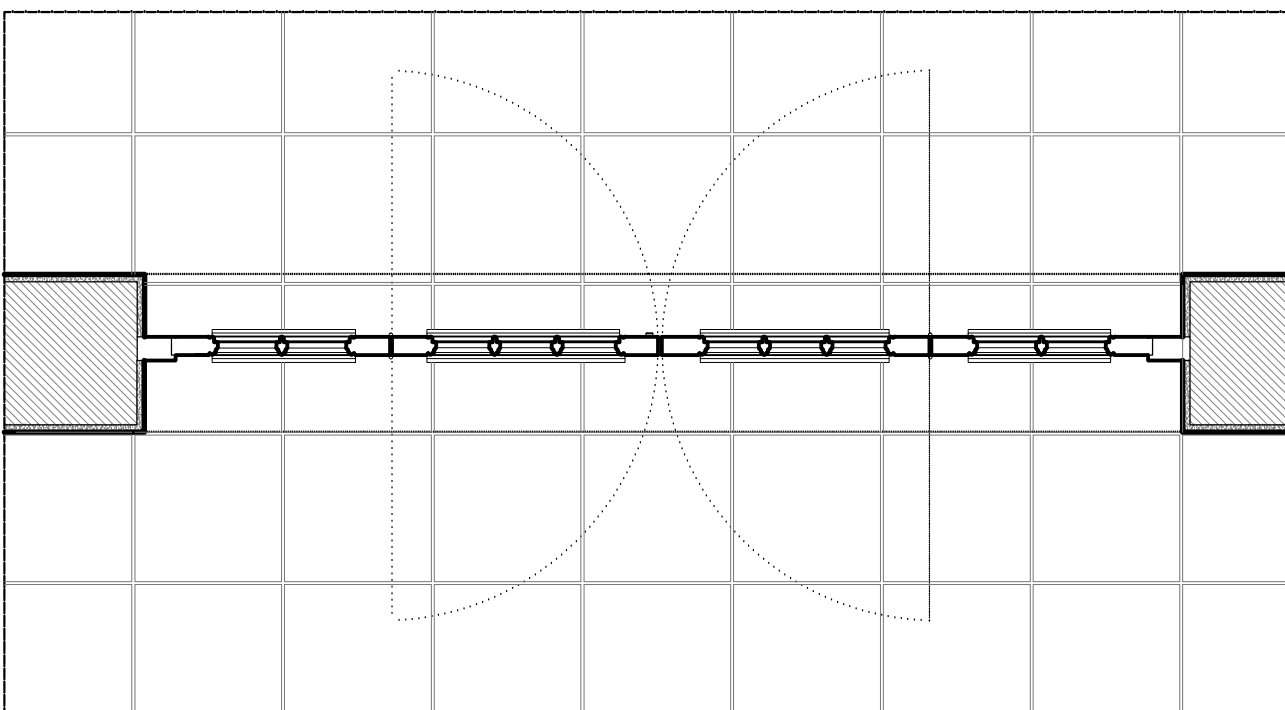


EXTERIOR ELEVATION



I-1 SECTION



PLAN