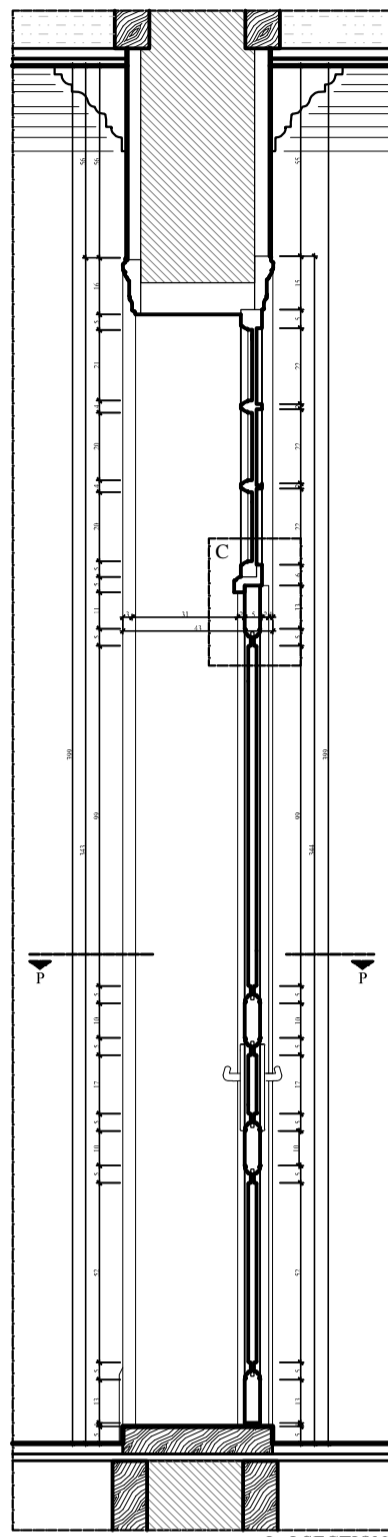
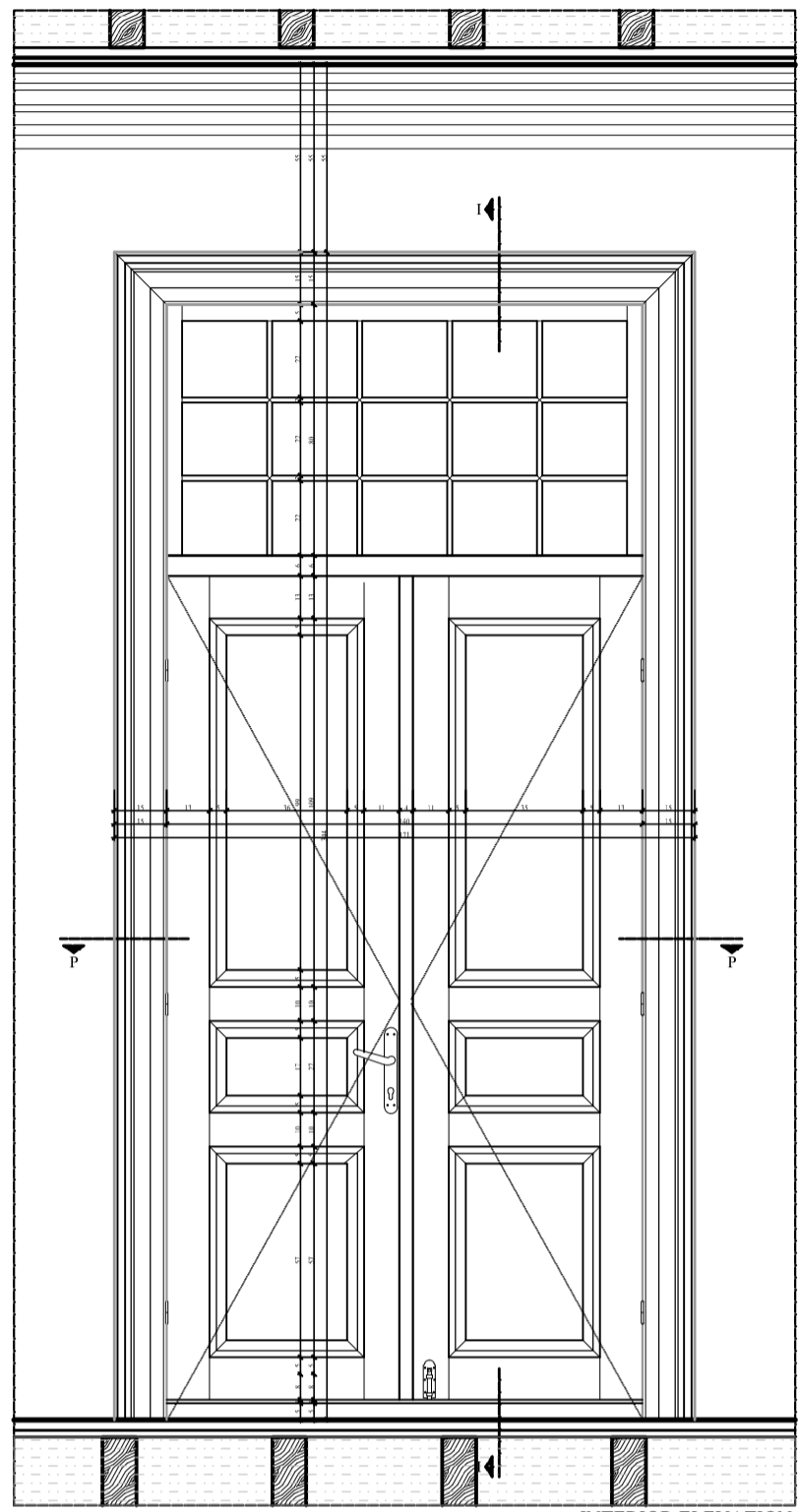


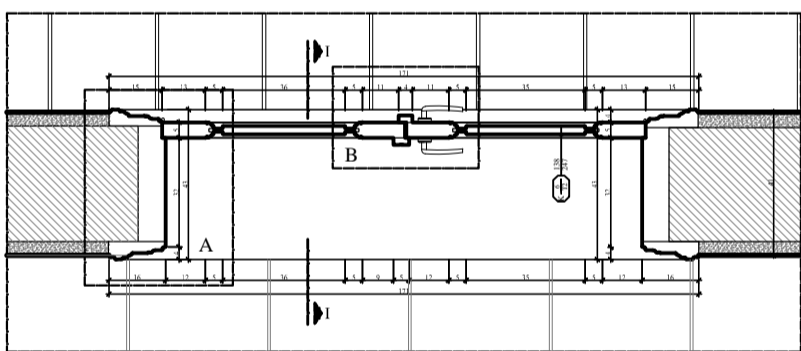
EXTERIOR ELEVATION



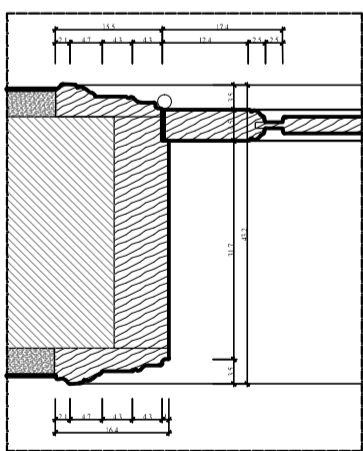
T-1 SECTION



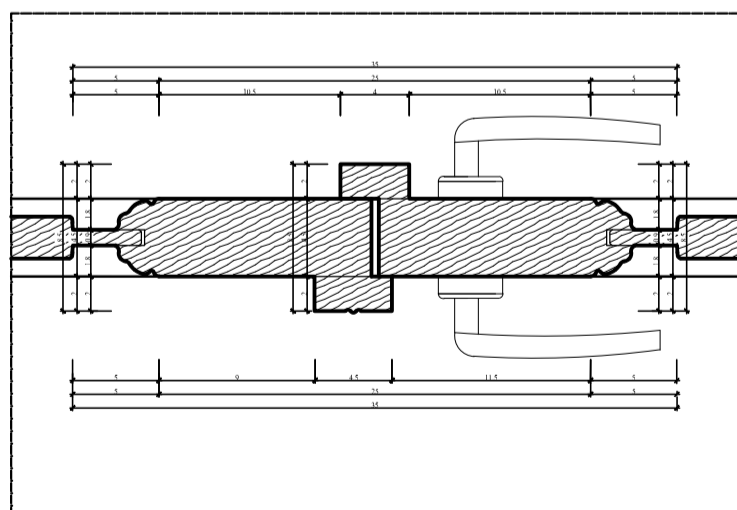
INTERIOR ELEVATION



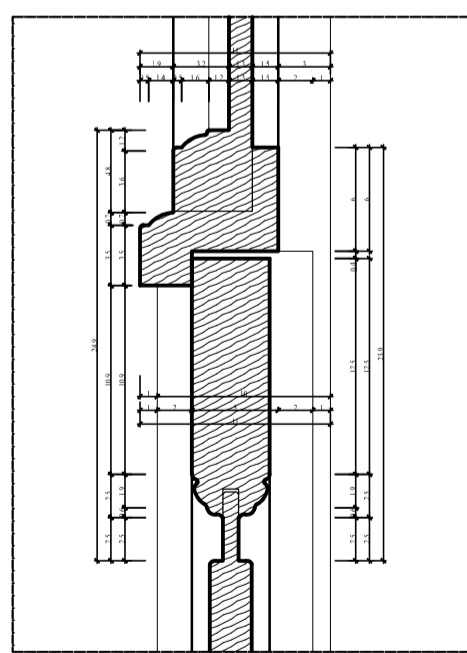
PLAN



A - DETAIL
SCALE: 1/5



B - DETAIL
SCALE: 1/2



C - DETAIL
SCALE: 1/2

DOOR DETAIL - 3

SCALE: 1/10