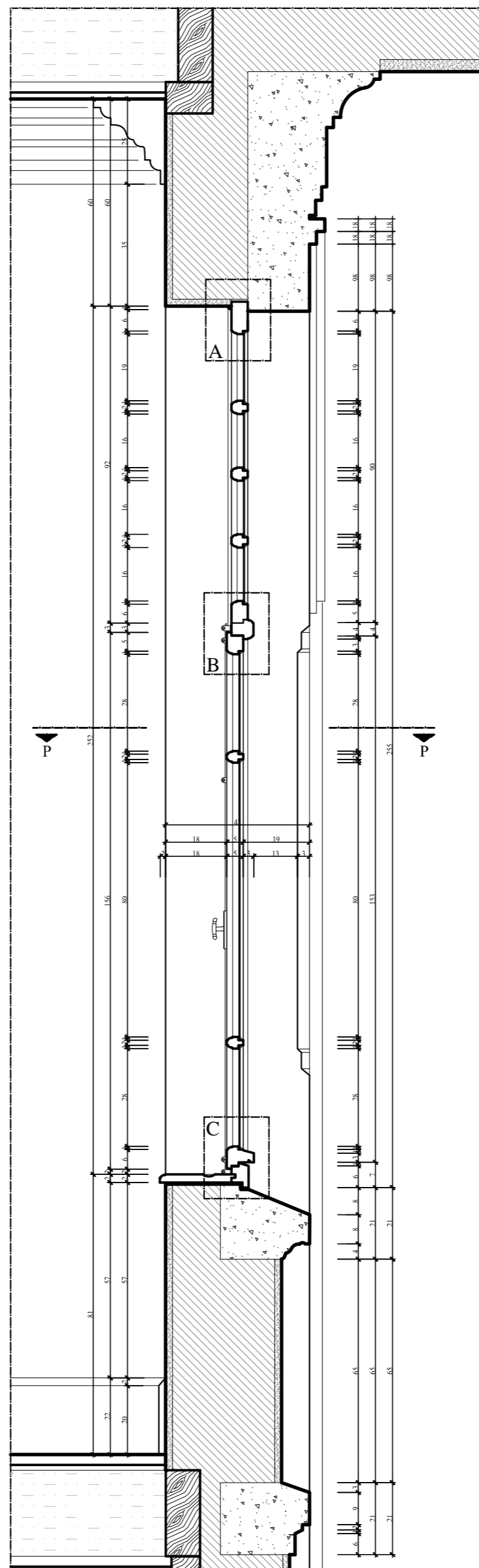
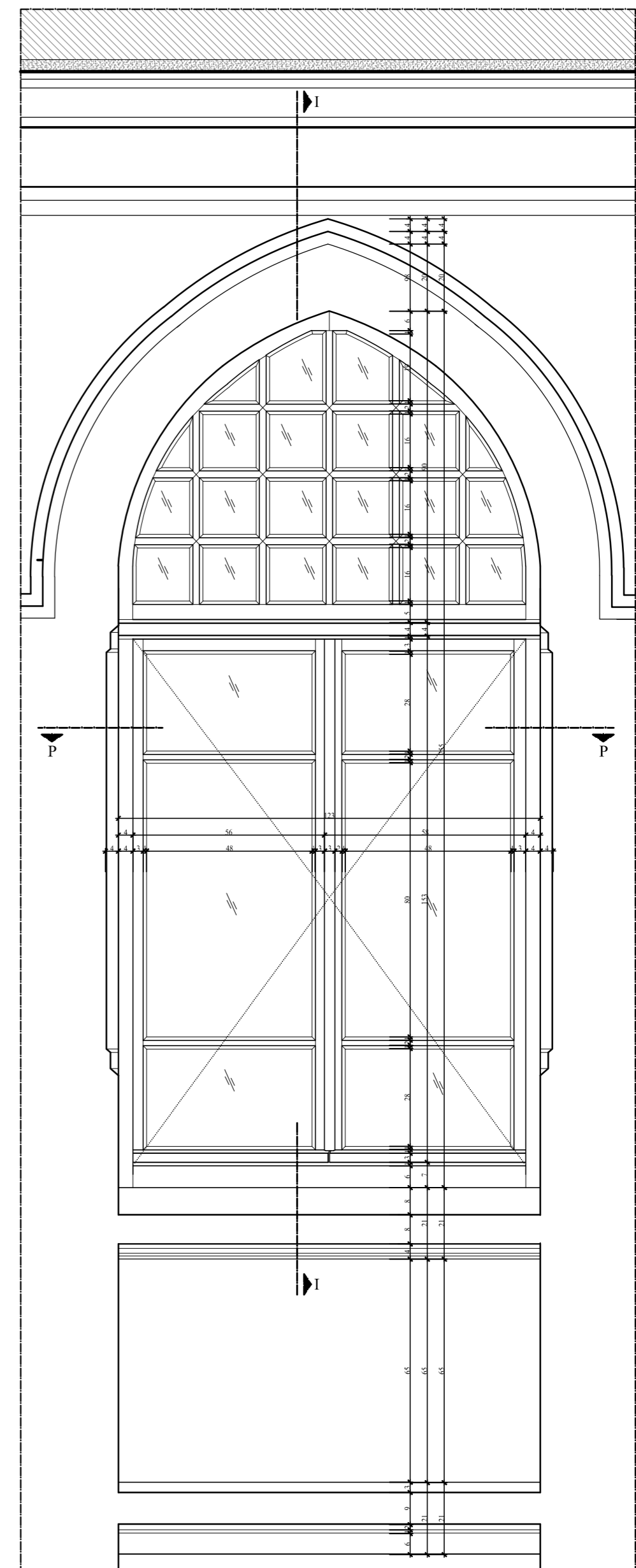


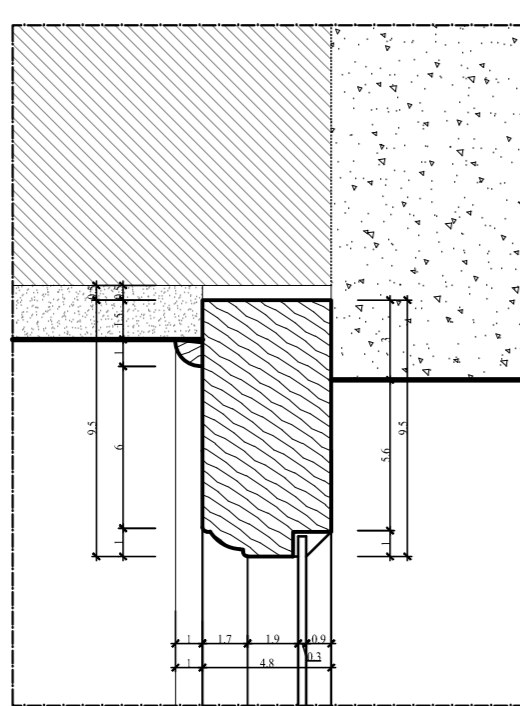
INTERIOR ELEVATION



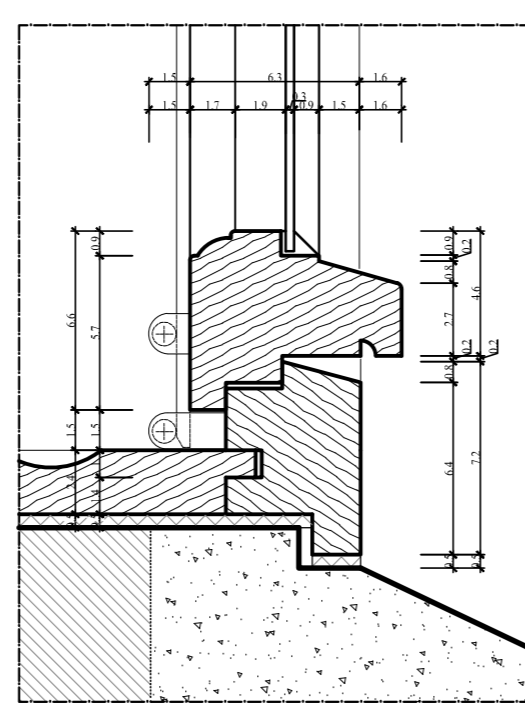
I - 1 SECTION



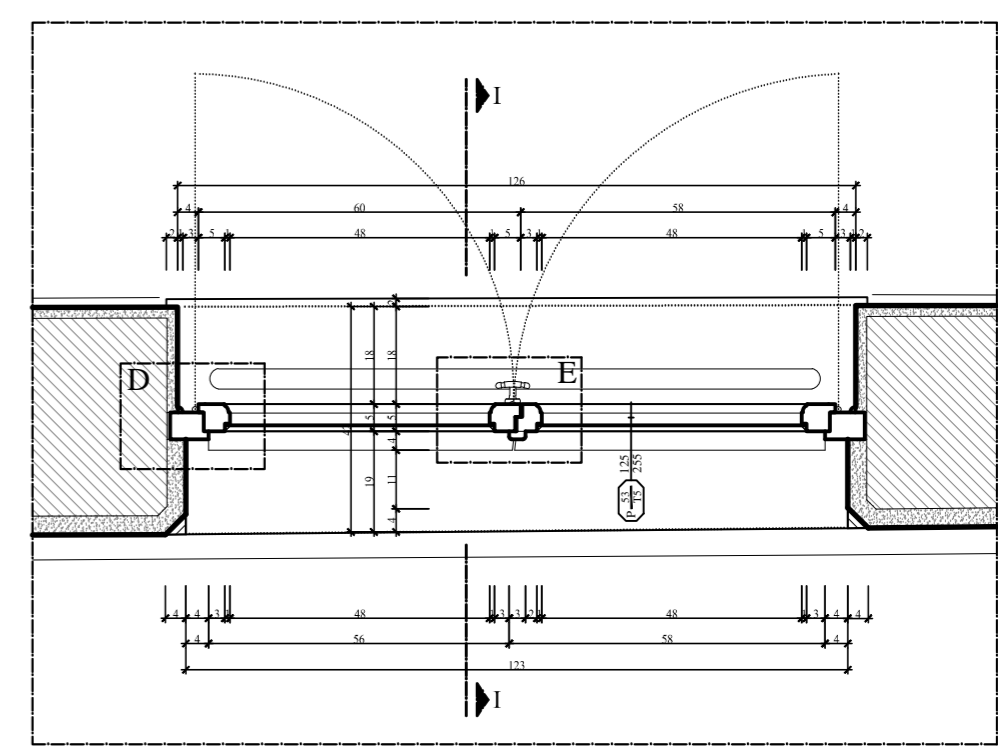
EXTERIOR ELEVATION



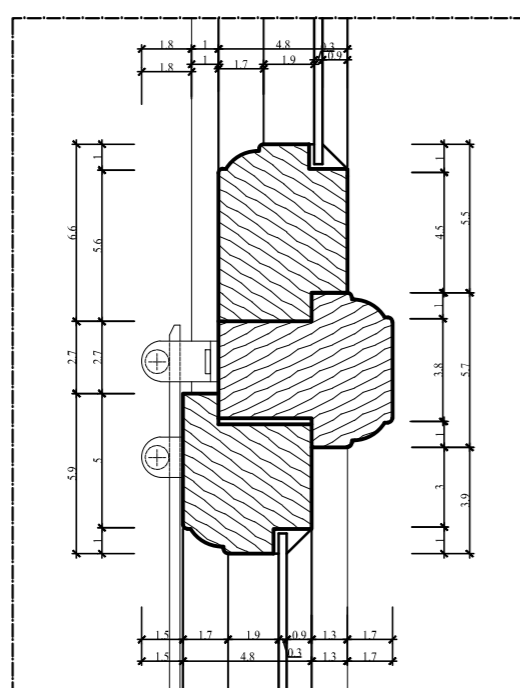
A - DETAIL
SCALE: 1/2



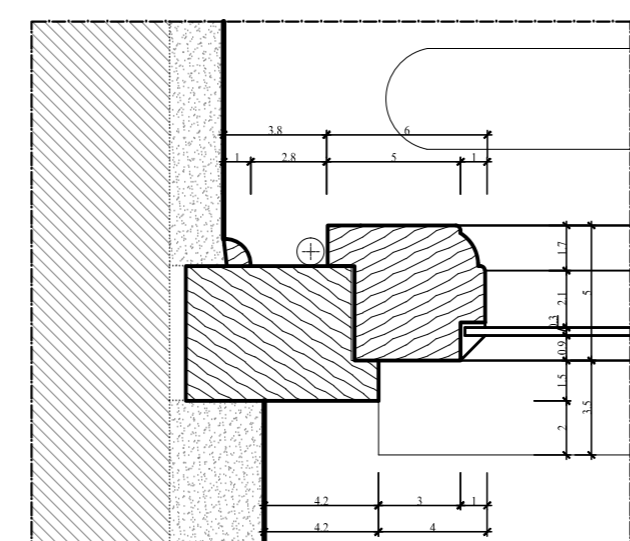
C - DETAIL
SCALE: 1/2



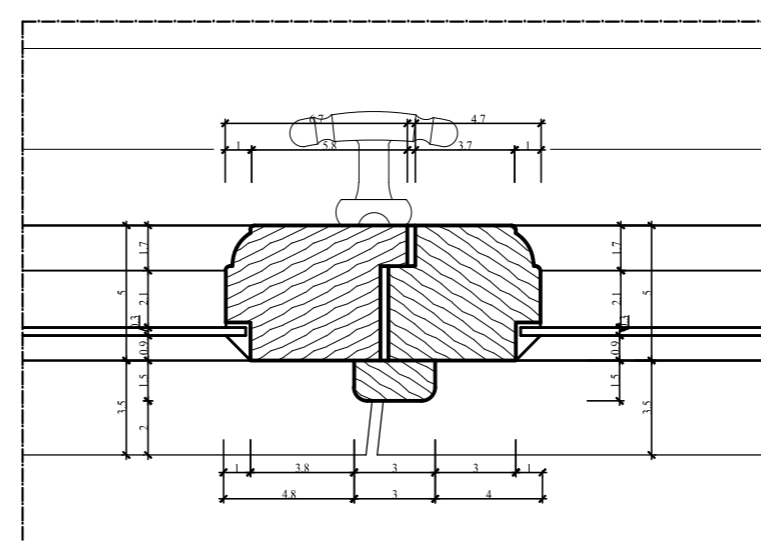
PLAN



B - DETAIL
SCALE: 1/2



D - DETAIL
SCALE: 1/2



E - DETAIL
SCALE: 1/2

WINDOW DETAIL - 1

SCALE: 1/10