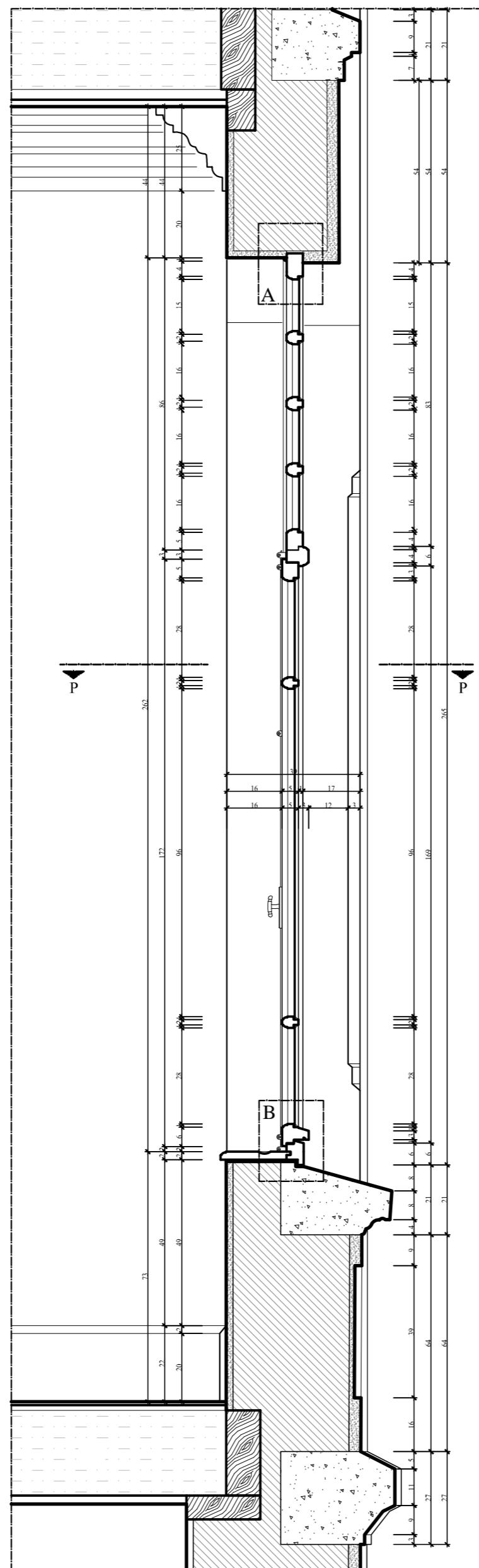
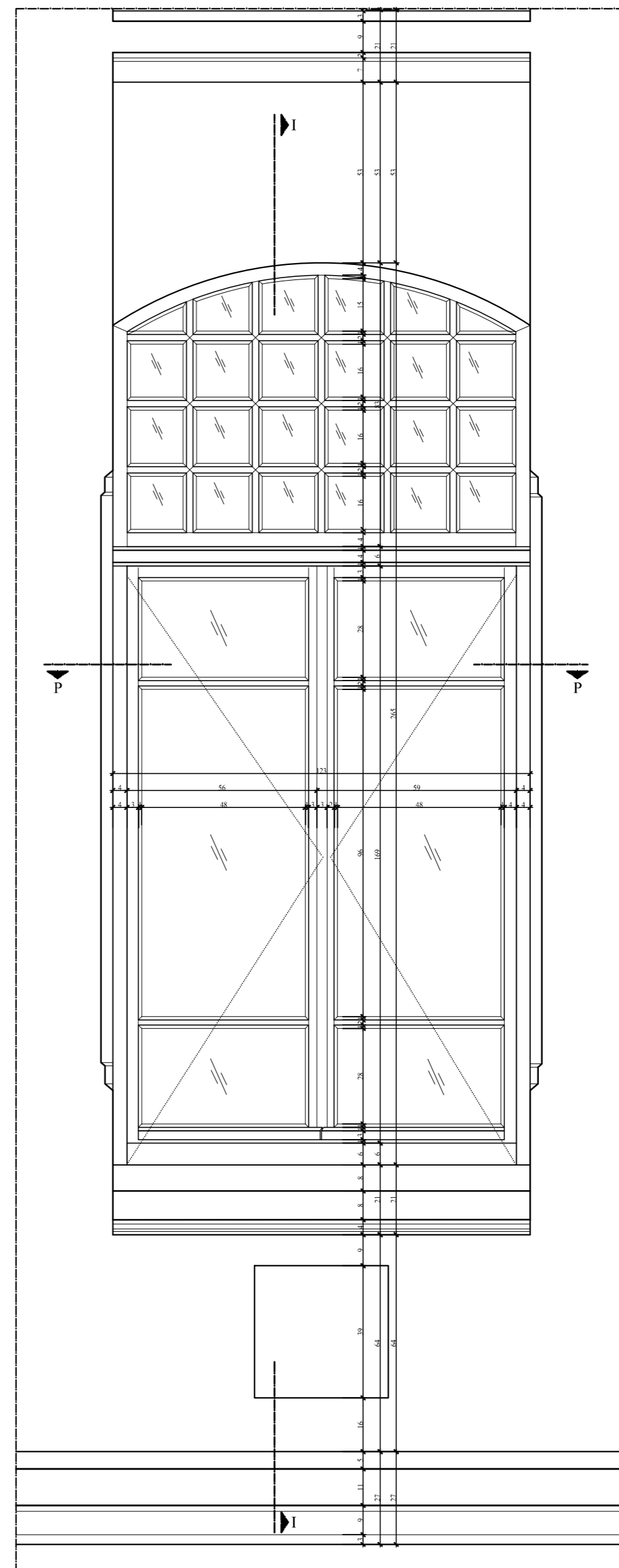


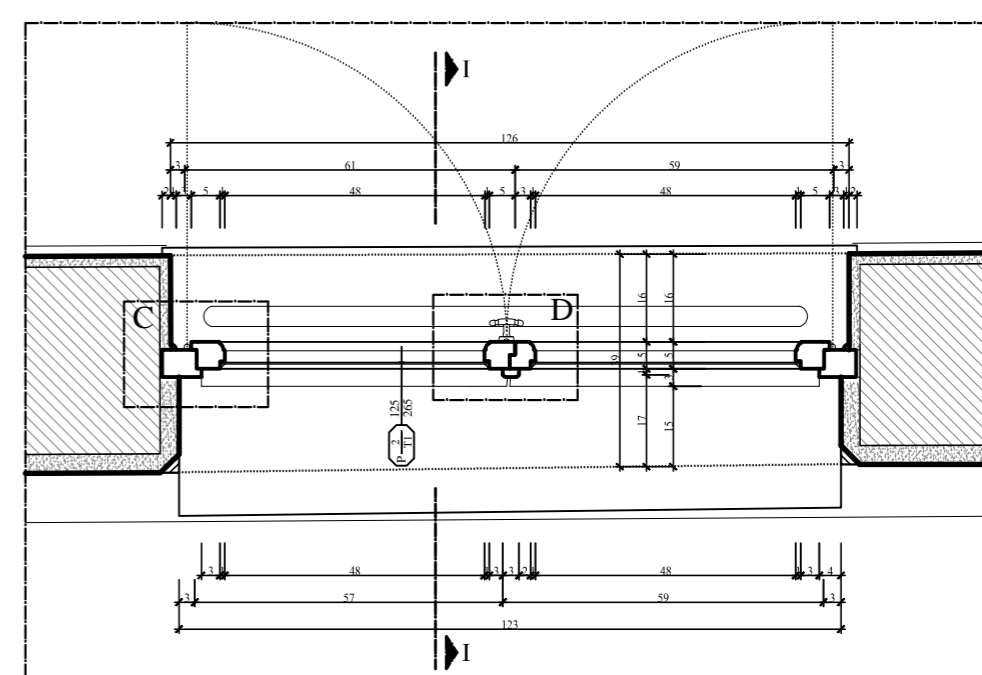
INTERIOR ELEVATION



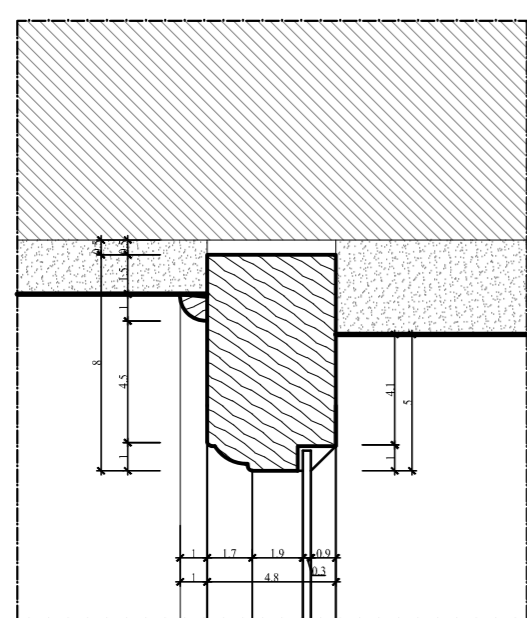
1-1 SECTION



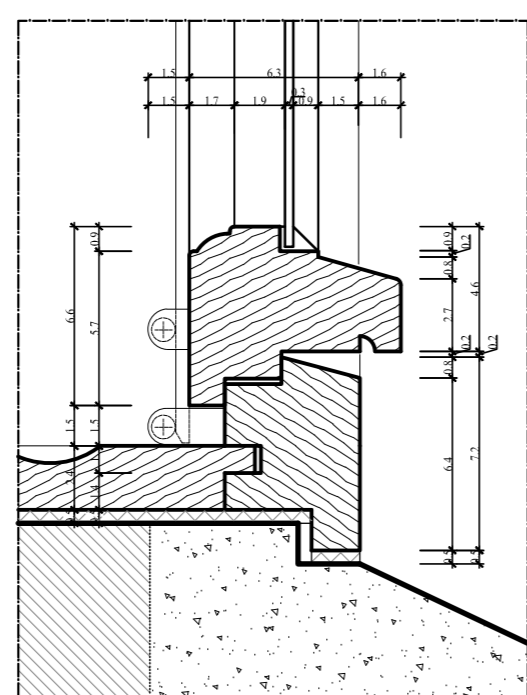
EXTERIOR ELEVATION



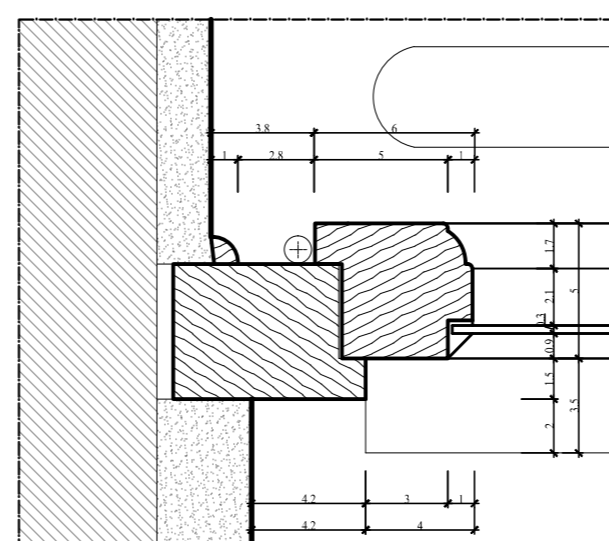
PLAN



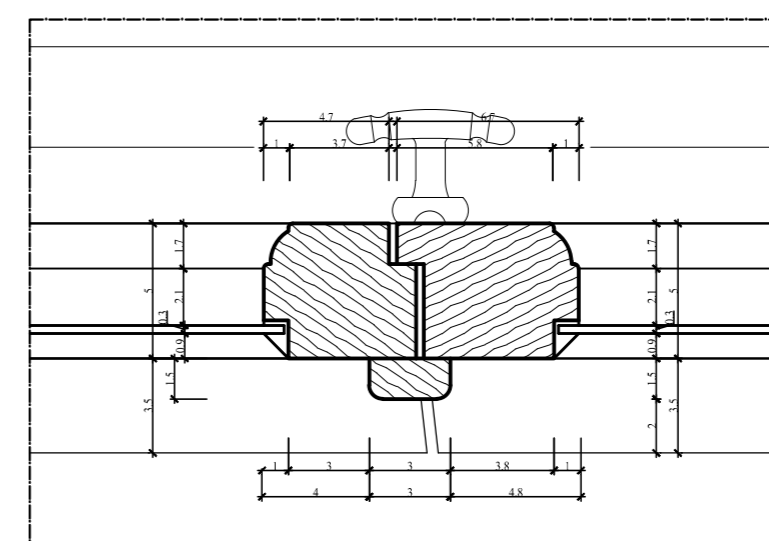
A - DETAIL
SCALE: 1/2



B - DETAIL
SCALE: 1/2



C - DETAIL
SCALE: 1/2



E - DETAIL
SCALE: 1/2

WINDOW DETAIL - 2

SCALE: 1/10