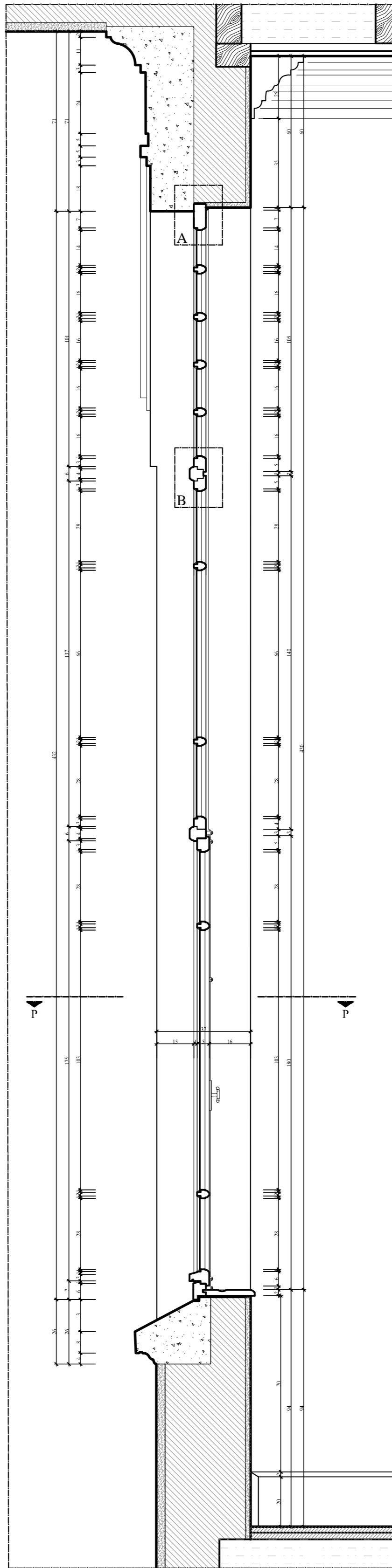
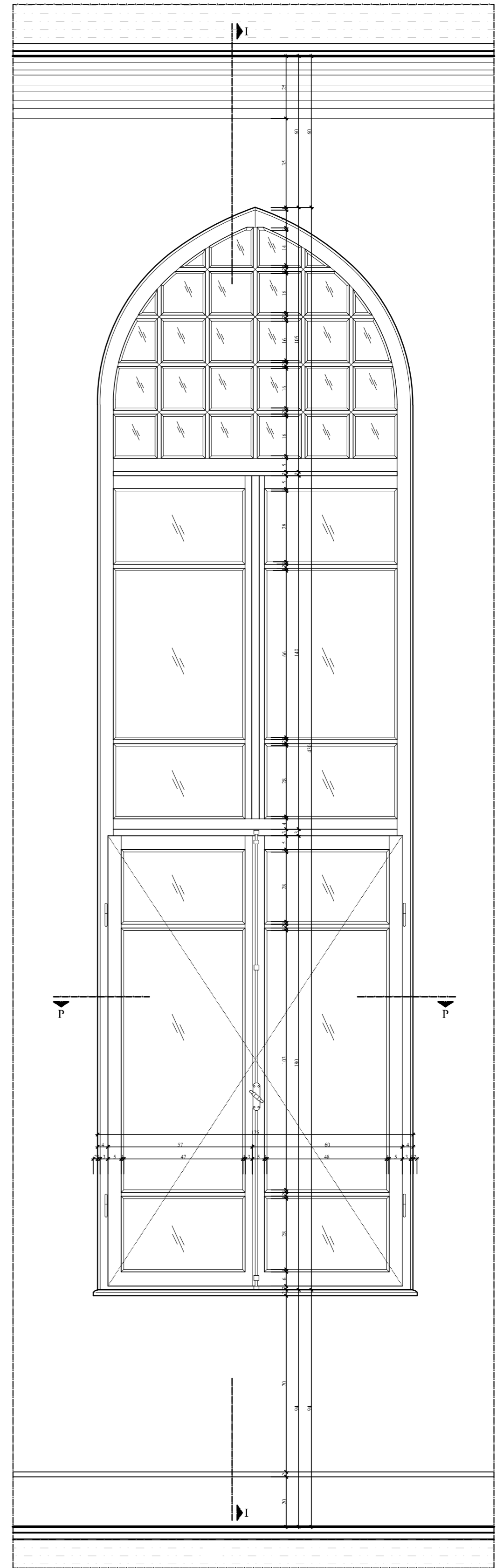


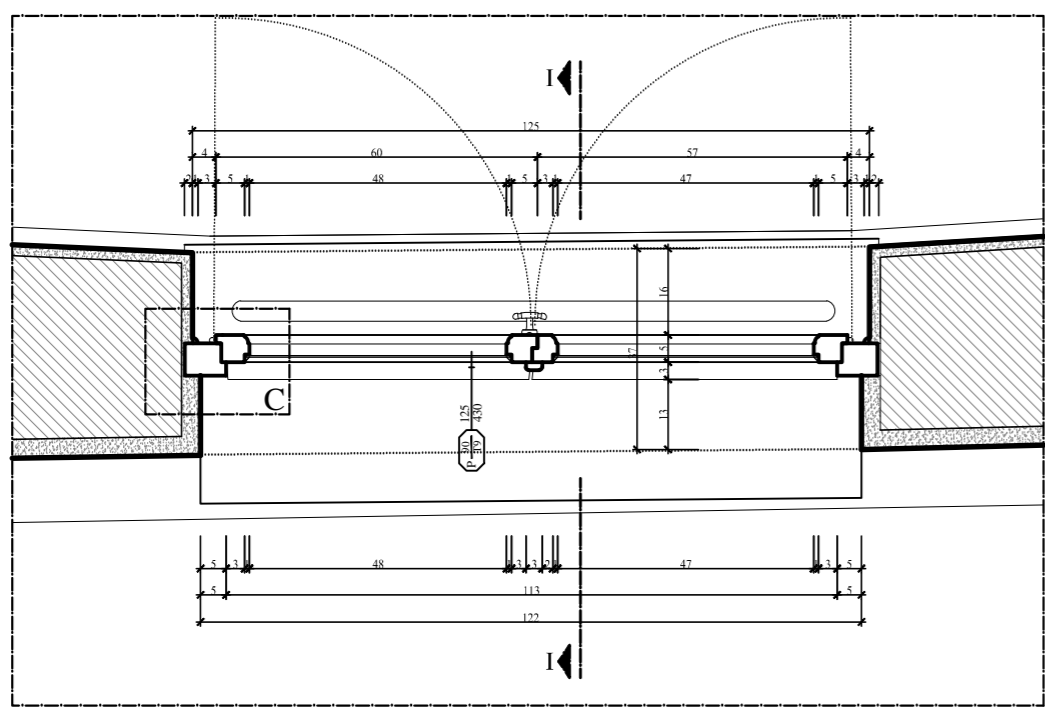
EXTERIOR ELEVATION



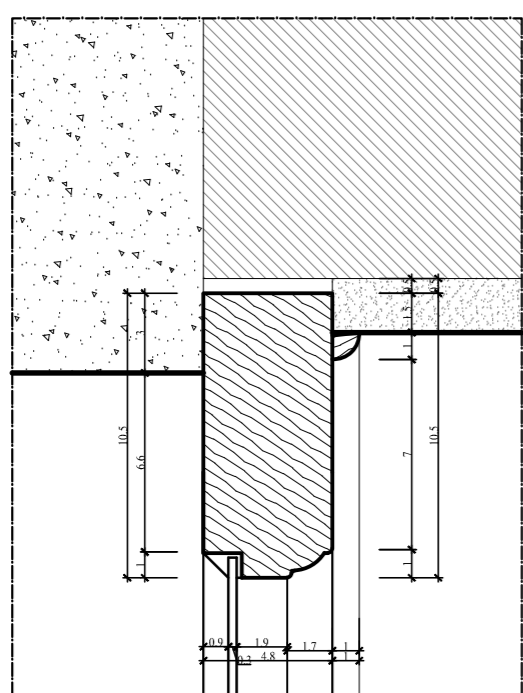
I - I SECTION



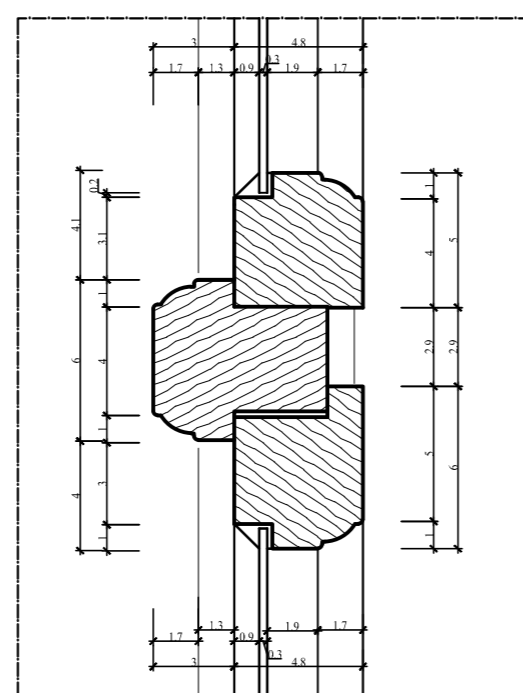
INTERIOR ELEVATION



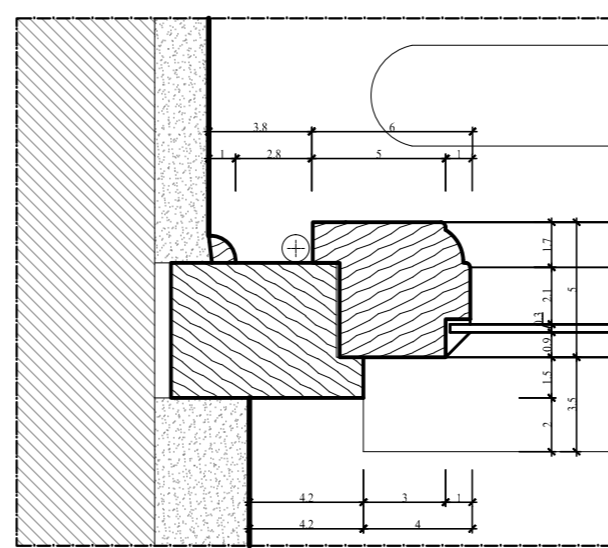
PLAN



A - DETAIL  
SCALE: 1/2



B - DETAIL  
SCALE: 1/2



C - DETAIL  
SCALE: 1/2

WINDOW DETAIL - 3

SCALE: 1/10