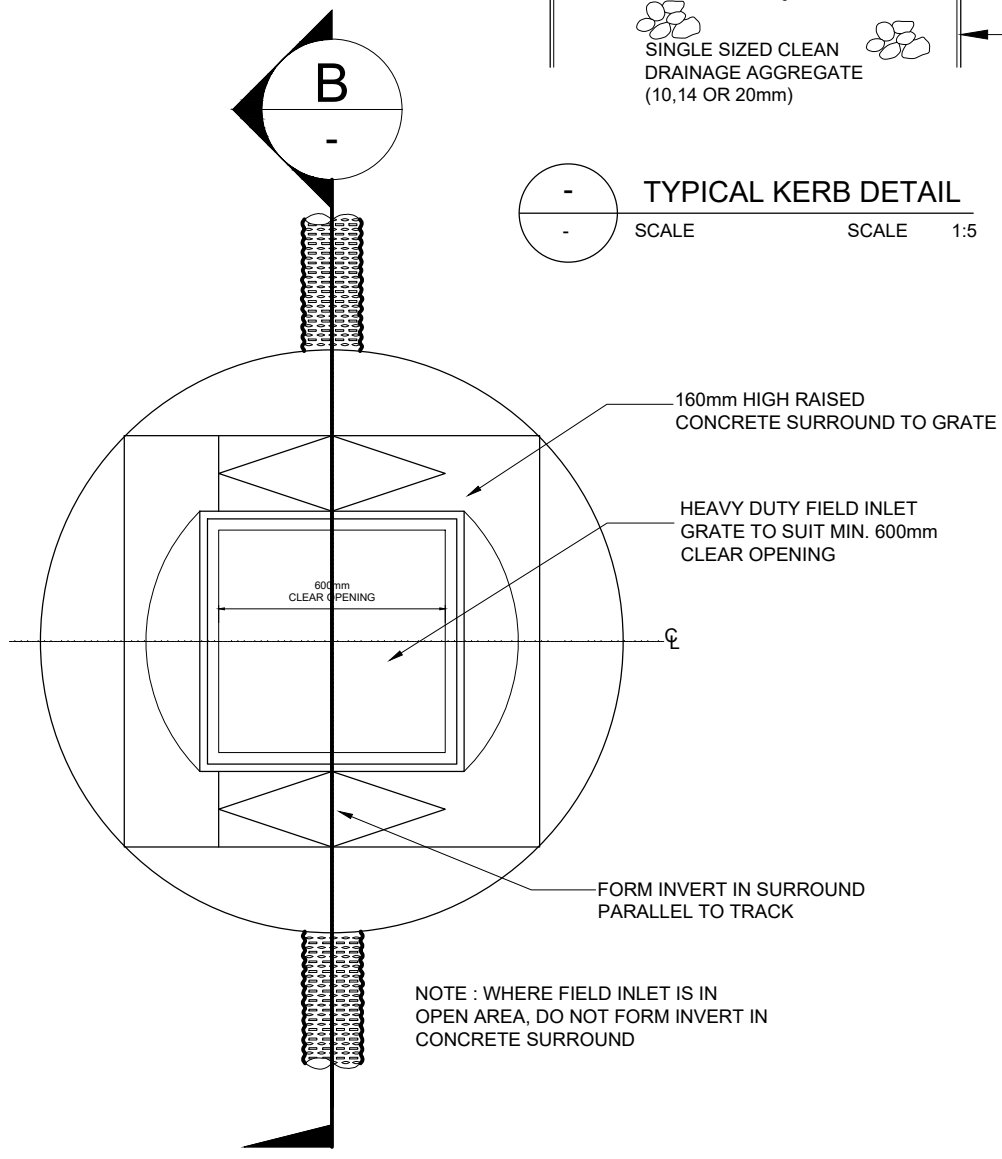
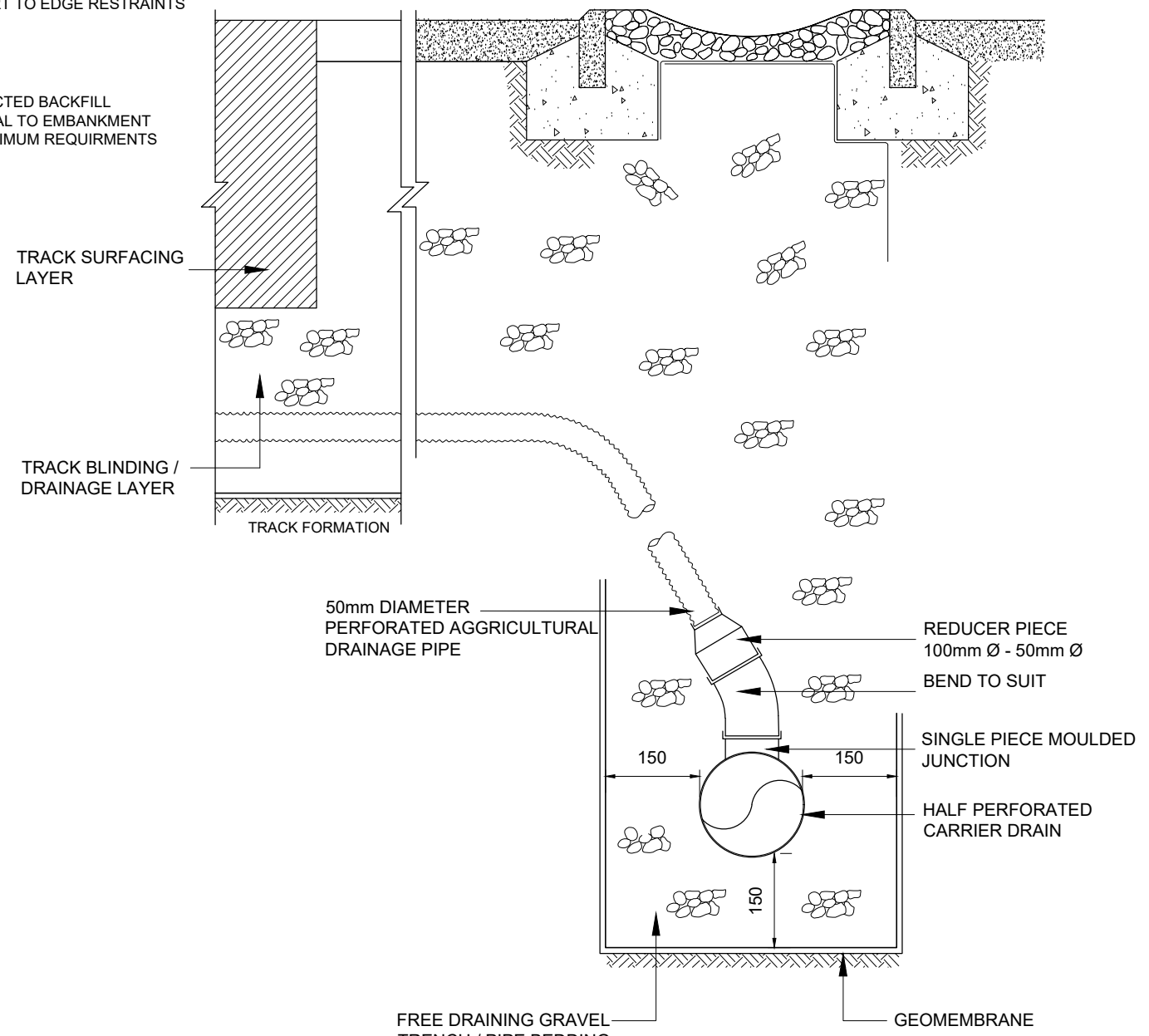


**TYPICAL KERB DETAIL**  
SCALE 1:5



**2 PLAN VIEW TO FIELD INLET**  
SCALE 1:5



**B TRACK SURFACE DRAIN DETAIL**  
SCALE 1:5