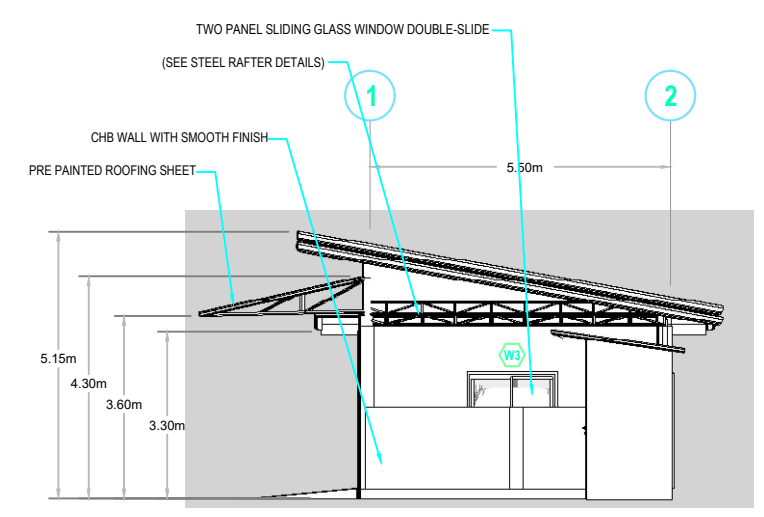
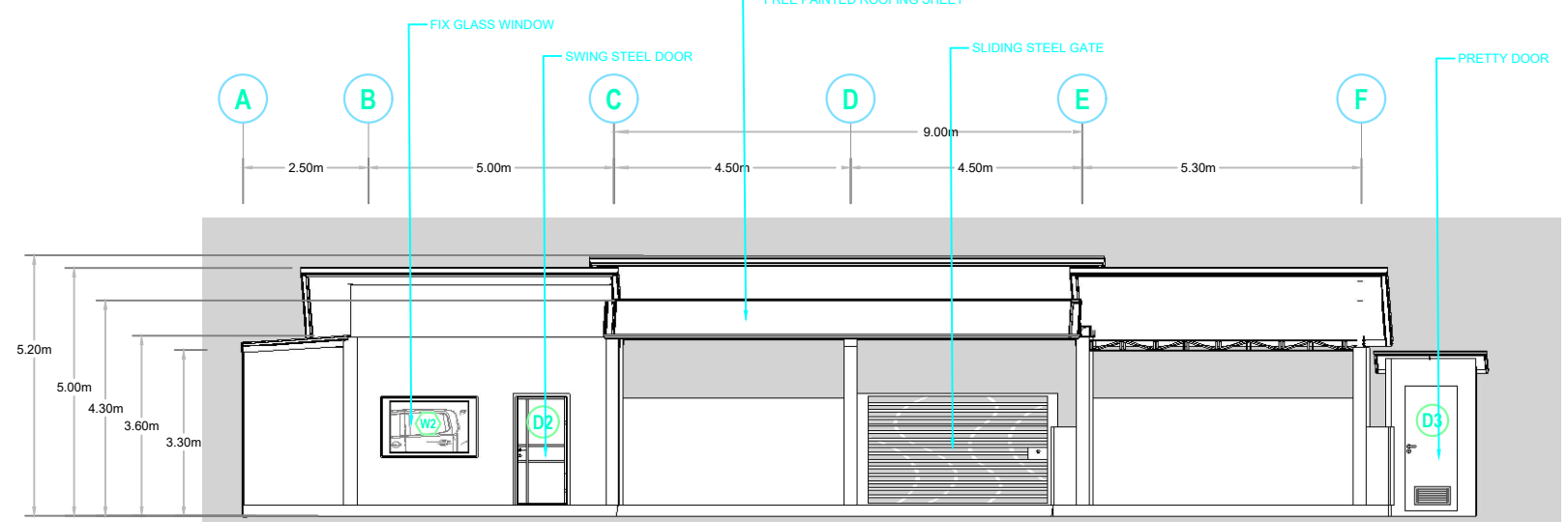


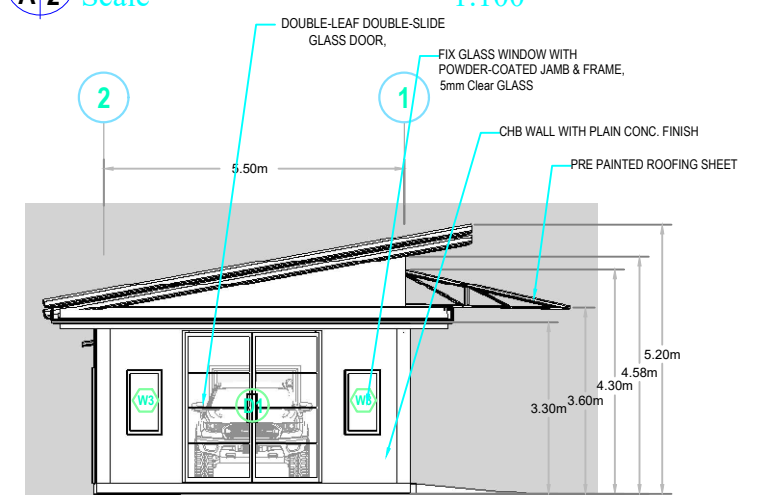
4 PROPOSE FLOOR PLAN
A 2 Scale 1:100



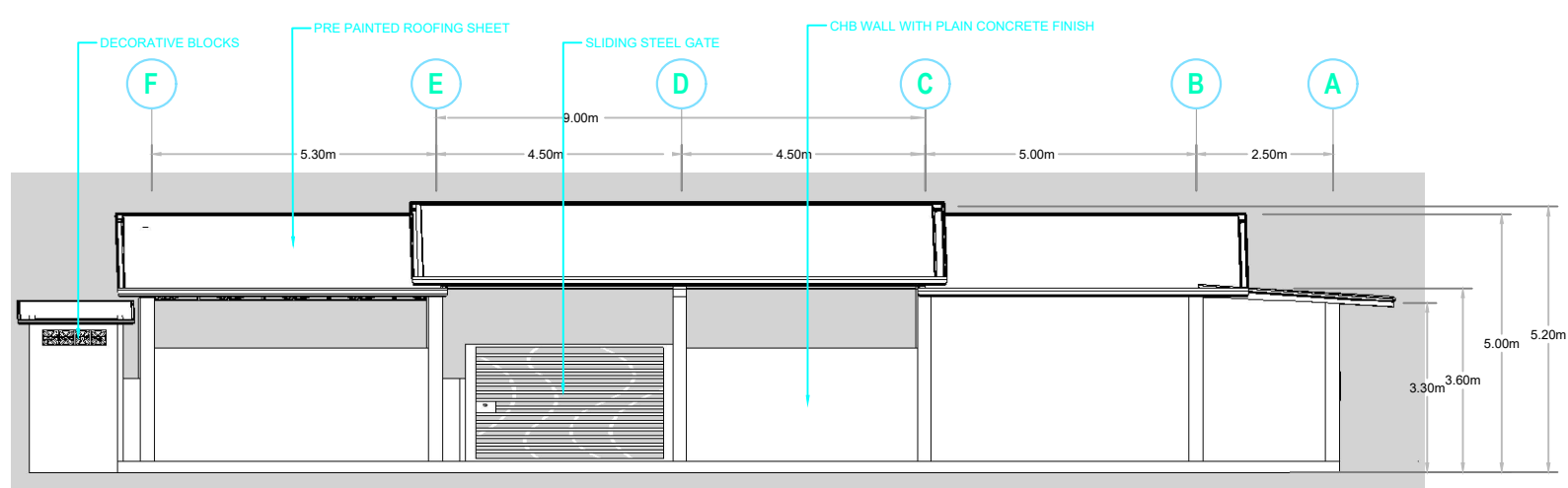
7 RIGHT SIDE ELEVATION
A 2 Scale 1:100



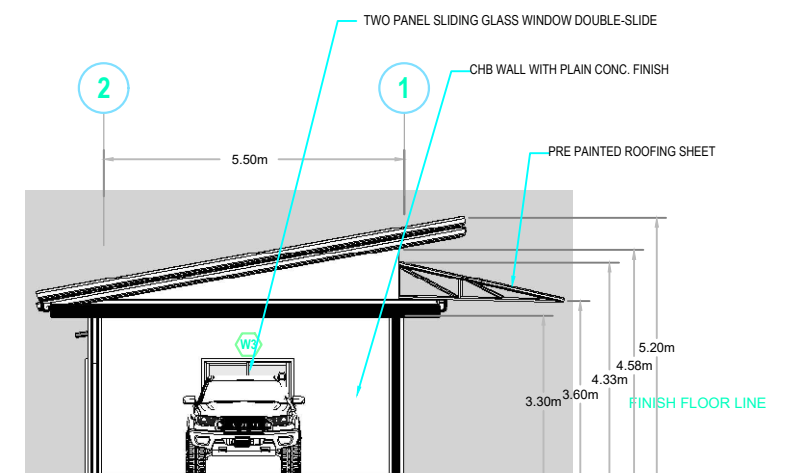
5 FRONT ELEVATION
A 2 Scale 1:100



8 LEFT SIDE ELEVATION
A 2 Scale 1:100



6 REAR ELEVATION
A 2 Scale 1:100



9 SECTION THRU B-B'
A 2 Scale 1:100

ENGINEER: 	PRC Reg. No: TIN. No: PTR. No: PLACE: DATE:	Project Title: <p style="text-align: center;">Construction of One Storey Commercial Building</p> Location:	OWNER'S APPROVAL Owner's Name & Signature	Sheet Number <div style="text-align: center;"> A - 2 2 6 </div>
-------------------	---	--	--	---