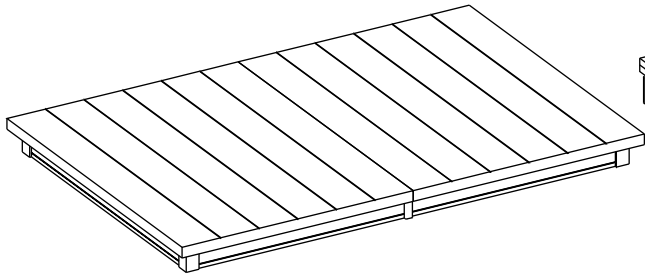


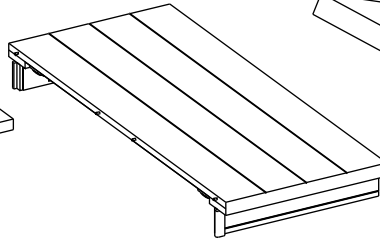
# ASSEMBLY INSTRUCTIONS

## MODEL # D1977-DINING TABLE

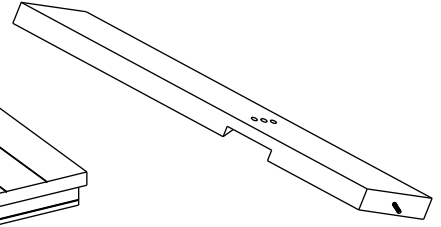
### PART AND HARDWARE LIST



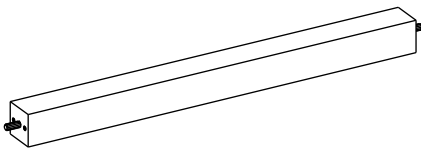
A- Table Top (X1)



B- Leaf (X1)



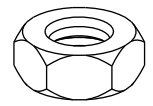
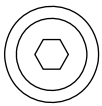
C- Leg (X4)



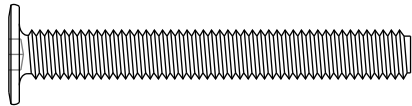
D- Stretcher (X1)



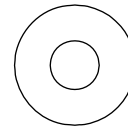
E- Tenon Attachment(X2)



(1) 2"1/2 Bolt (X4)



(2) Lock Washer (X4)



(3) Flat Washer (X4)

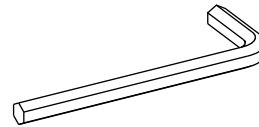
(4) Hex Nut (X4)



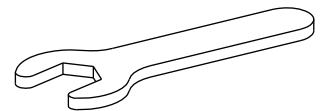
(5) Small Lock Washer (X4)



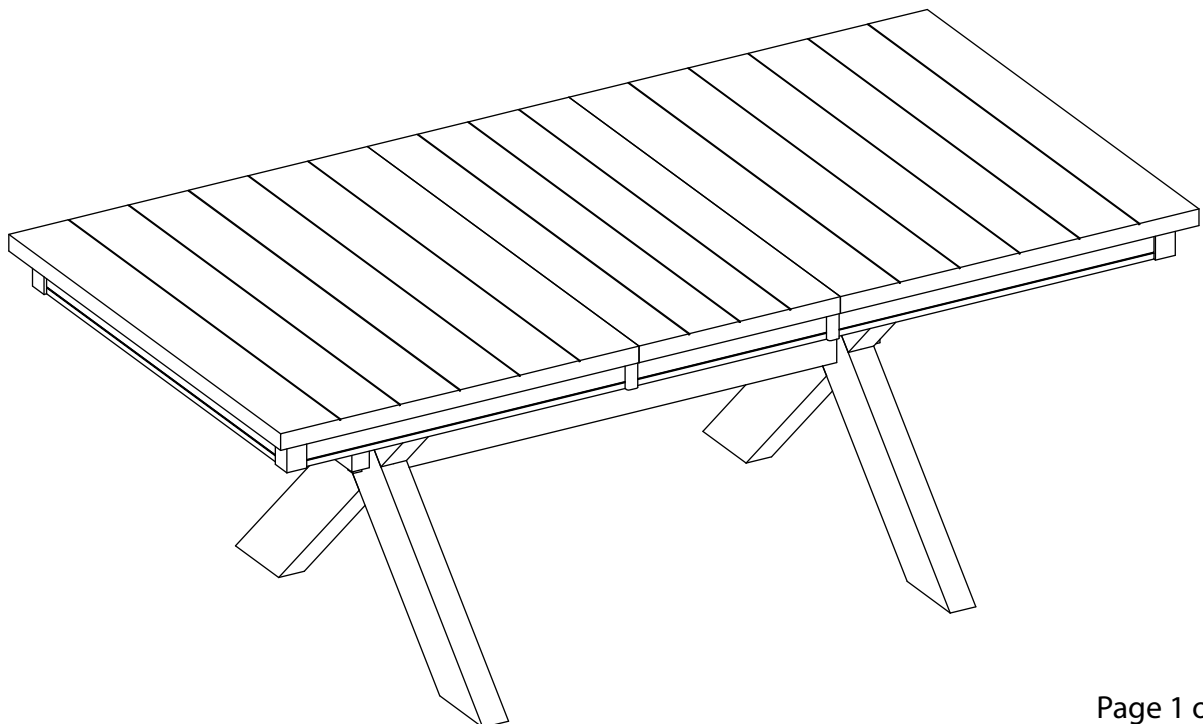
(6) Small Flat Washer (X4)



(7) 4mm Allen Key (X1)



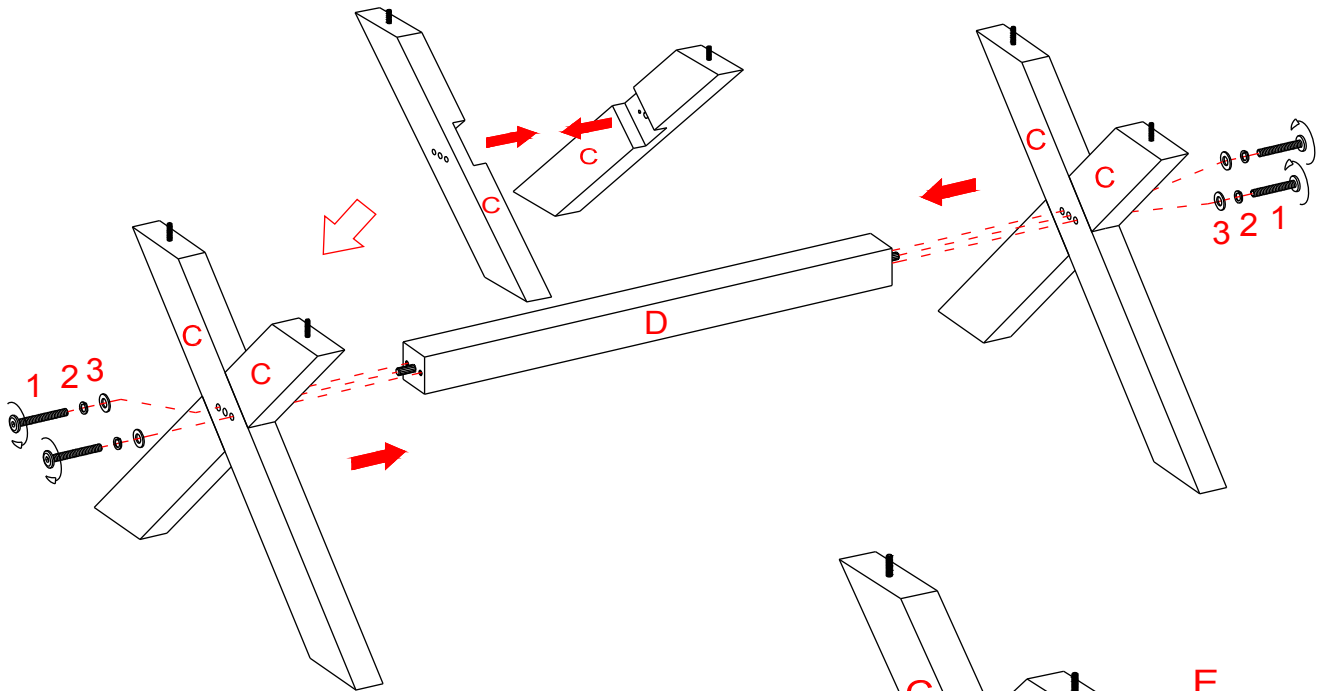
(8) Open Wrench (X1)



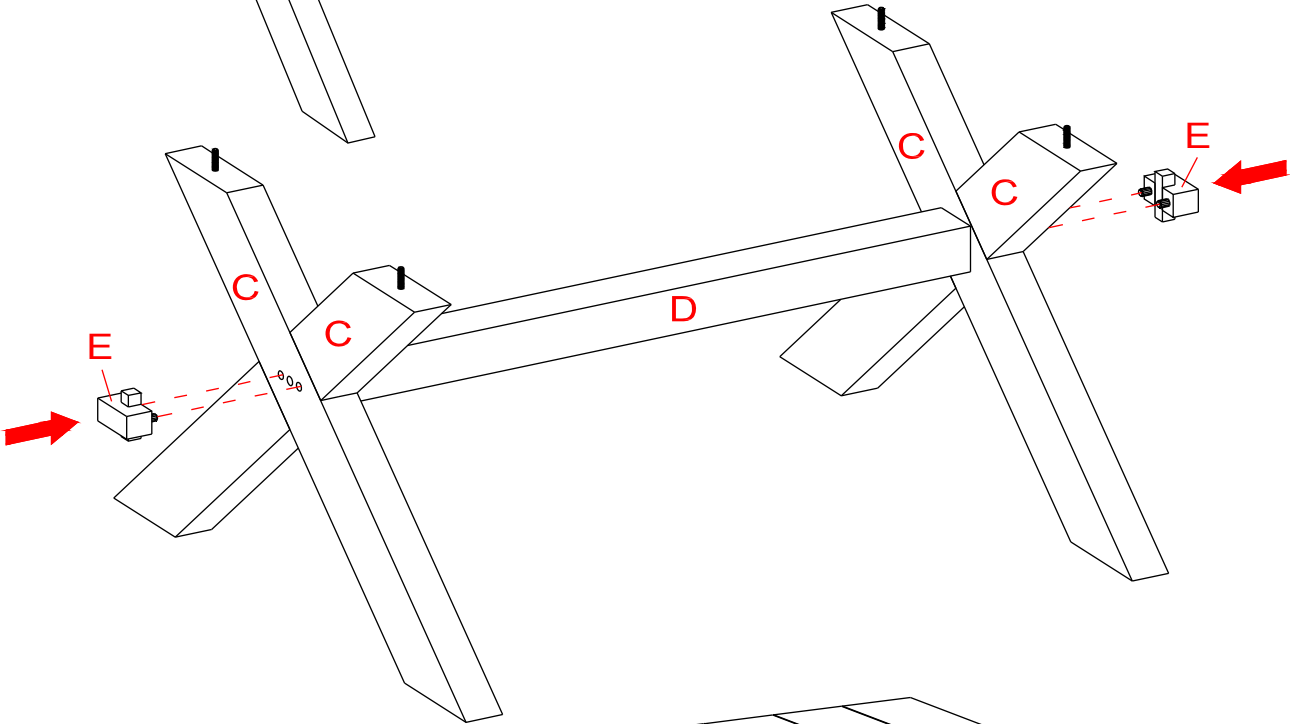
# ASSEMBLY INSTRUCTIONS

## MODEL # D1977-DINING TABLE

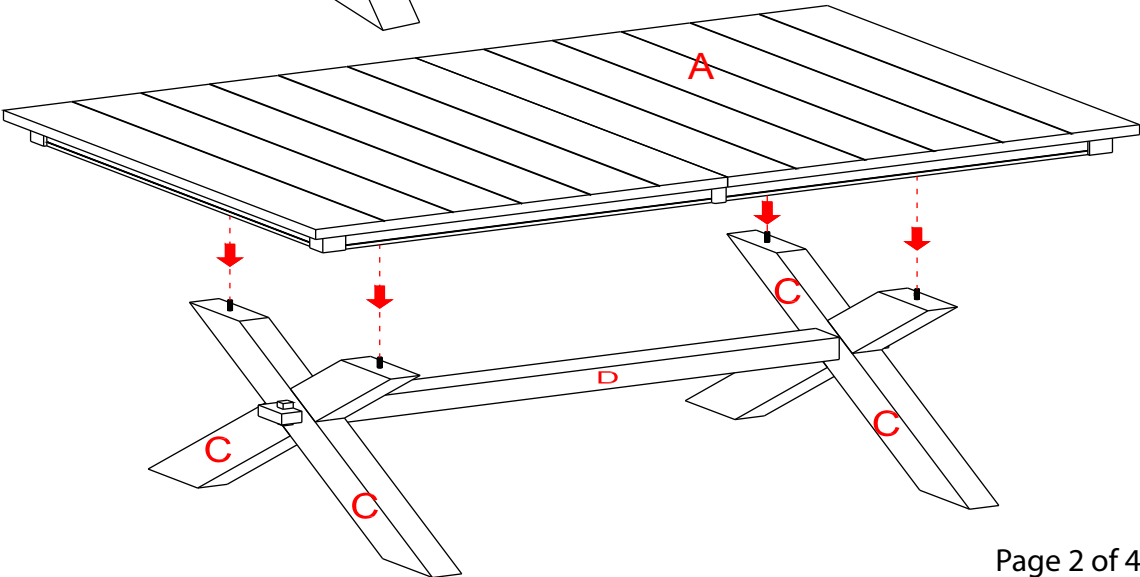
Step 1:



Step 2:



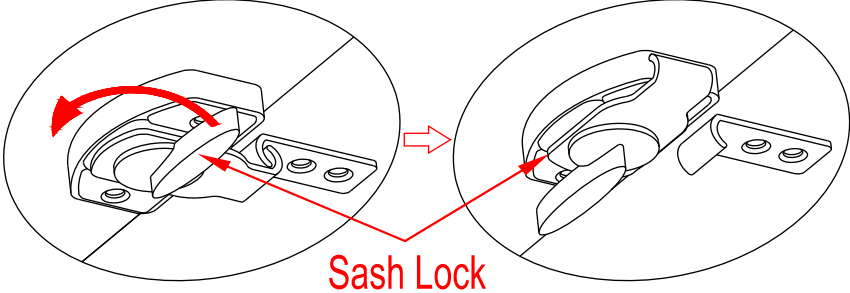
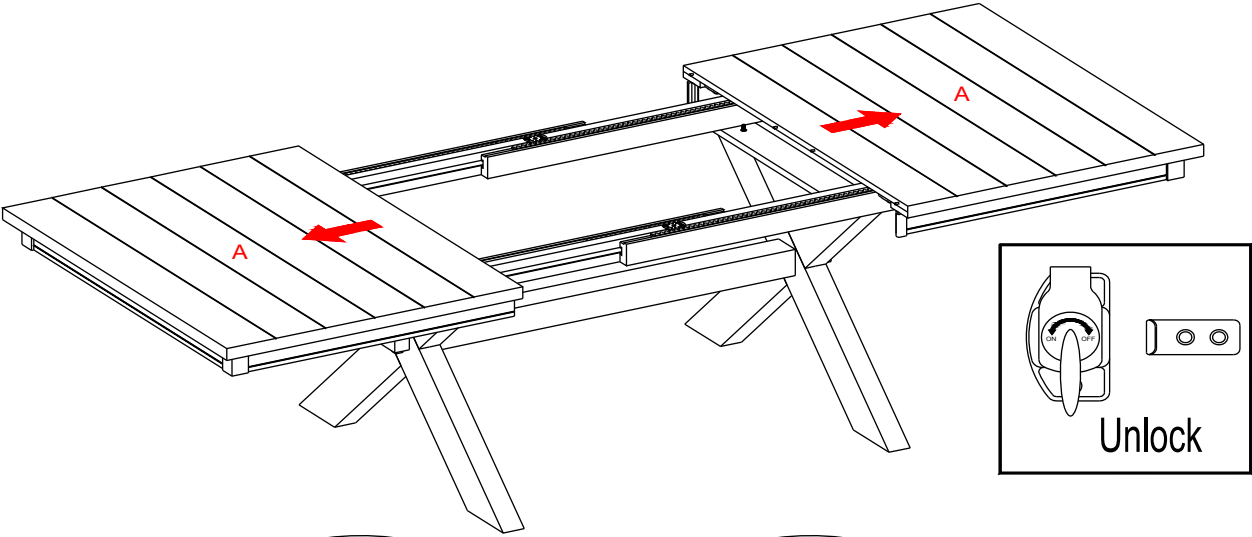
Step 3:



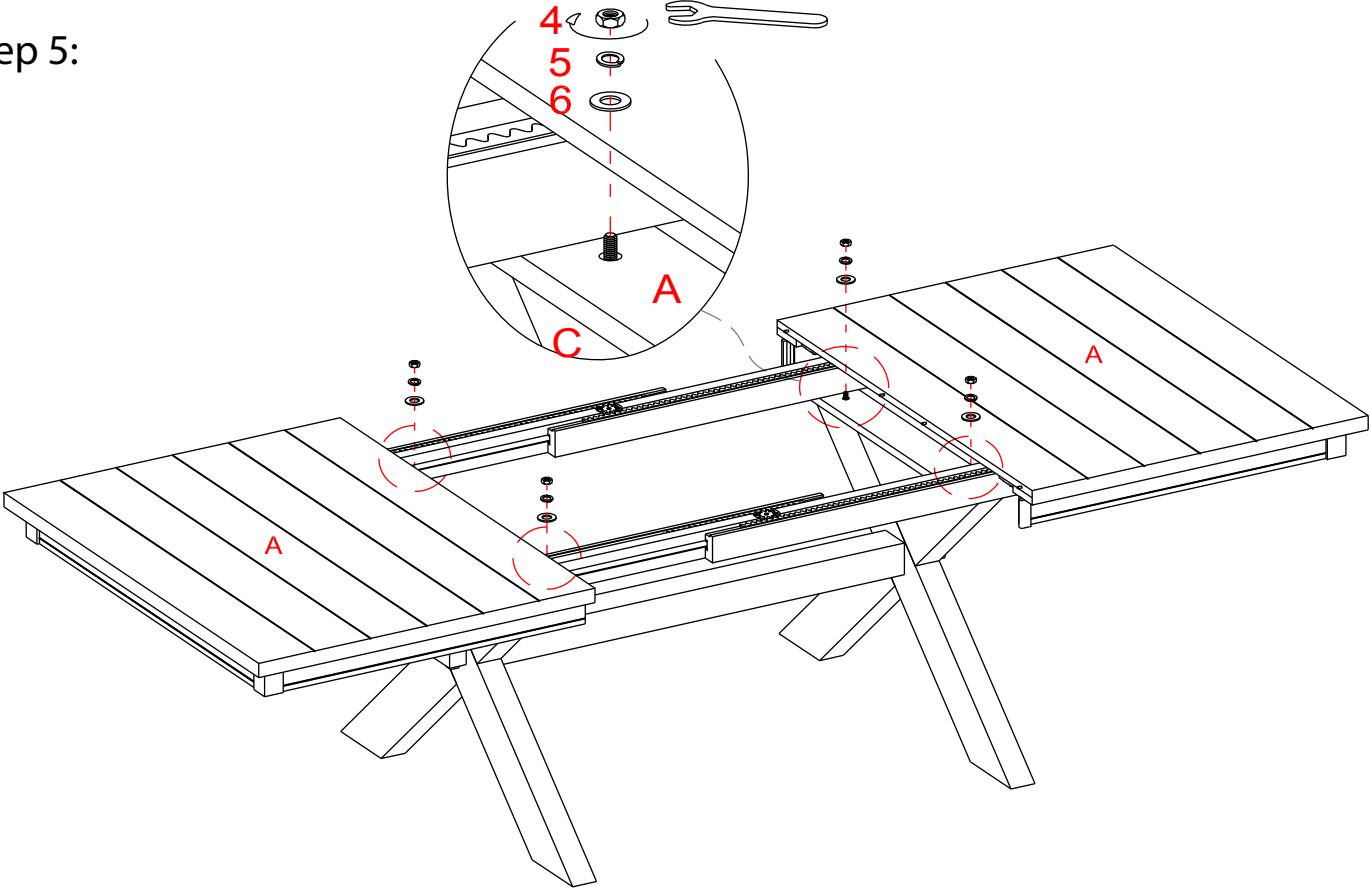
# ASSEMBLY INSTRUCTIONS

## MODEL # D1977-DINING TABLE

Step 4:



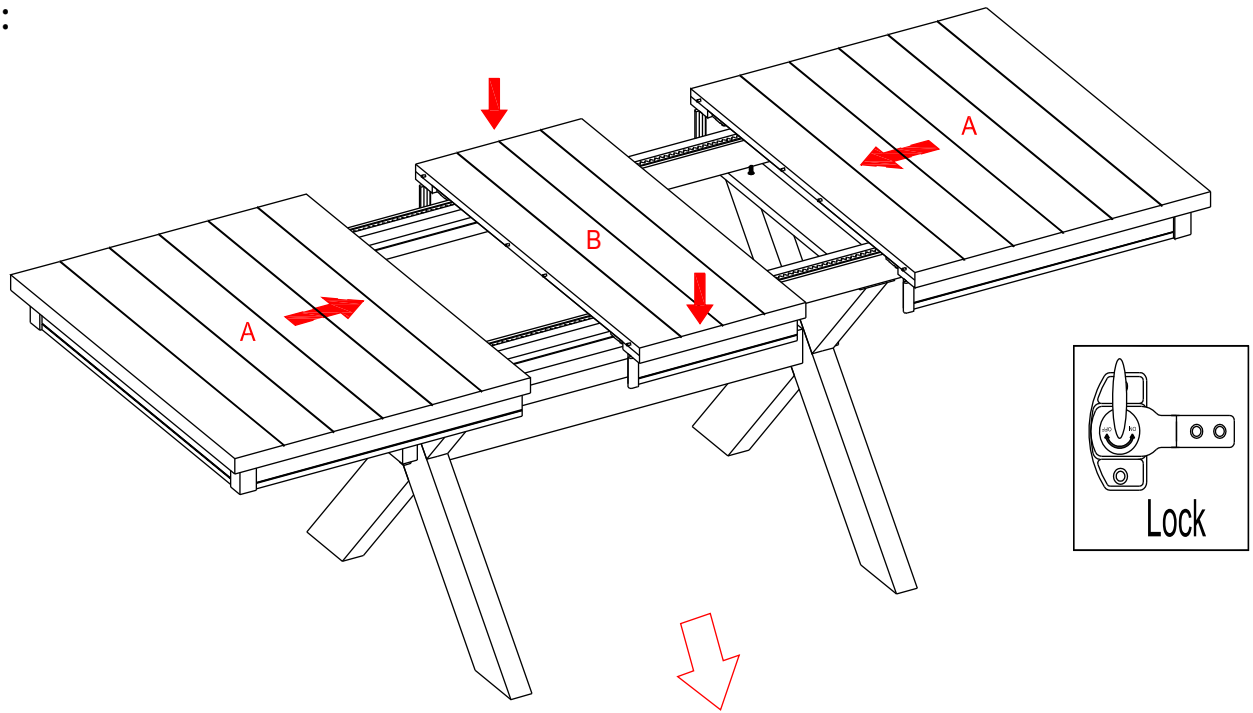
Step 5:



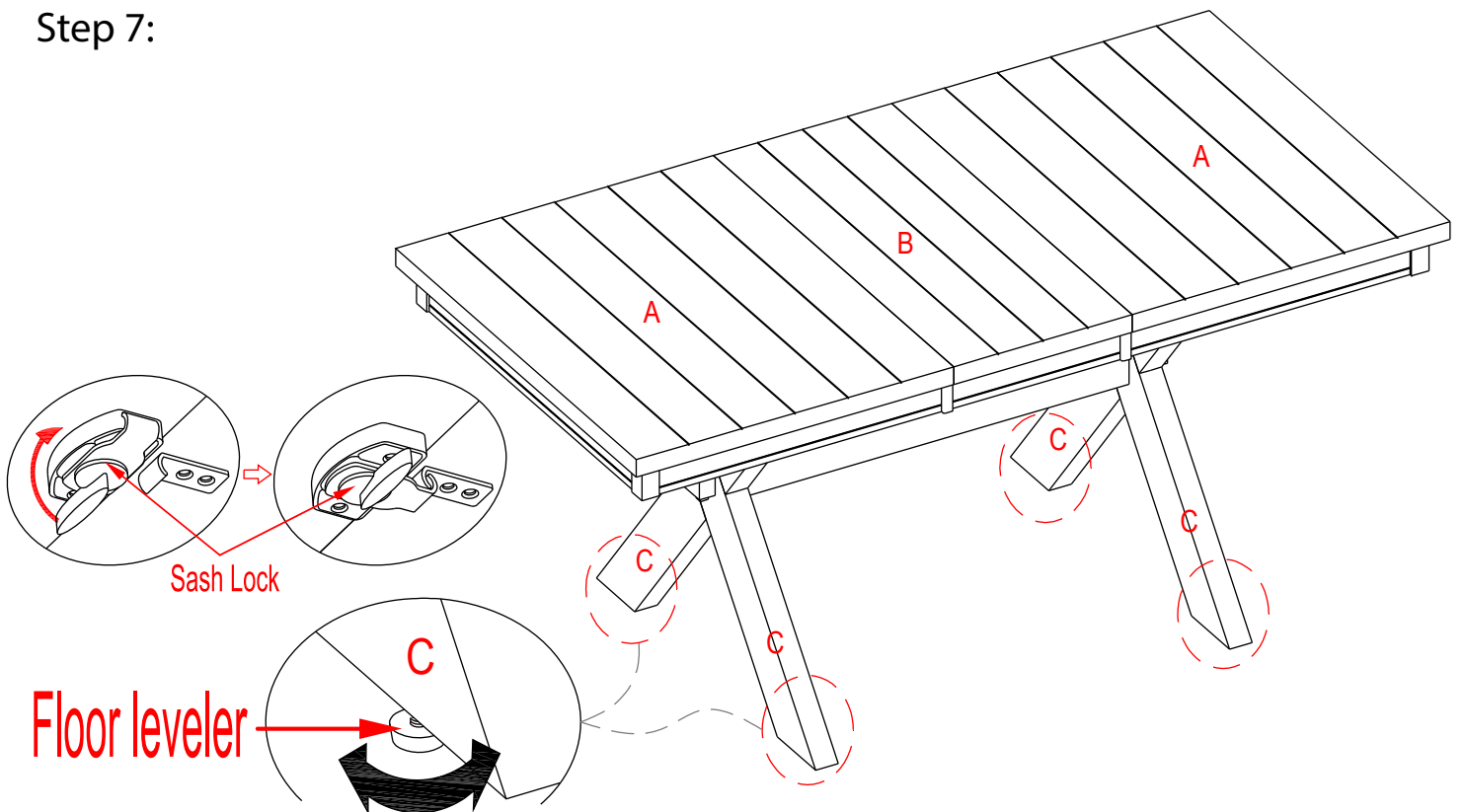
# ASSEMBLY INSTRUCTIONS

## MODEL # D1977-DINING TABLE

Step 6:



Step 7:



FINISH.  
THANK YOU!