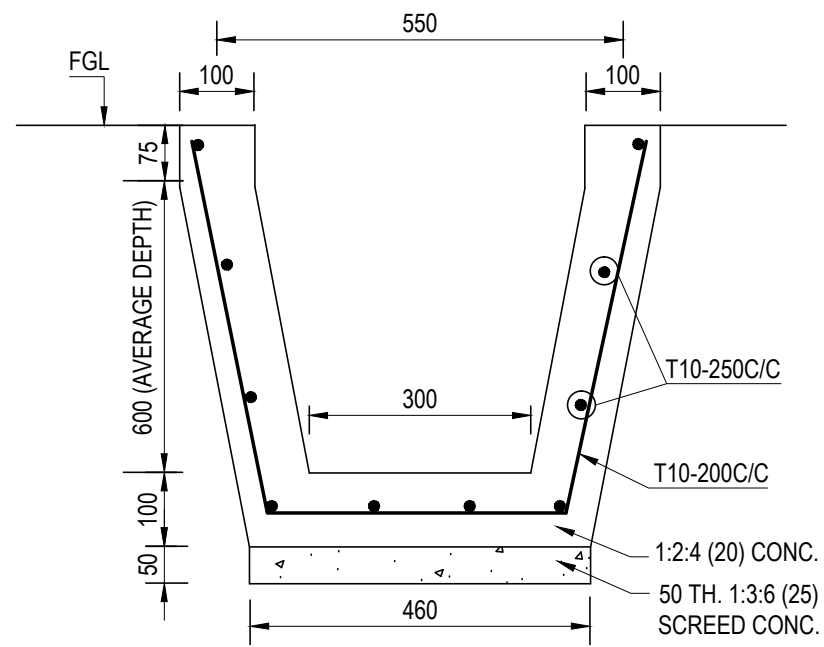


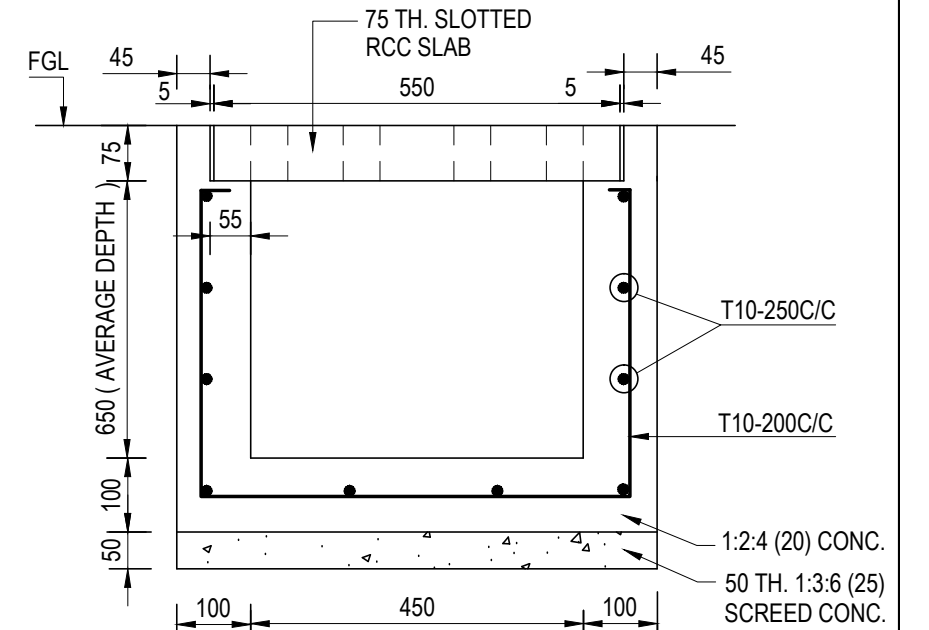
TYPICAL CROSS SECTION - TYPE 01

SCALE 1:10



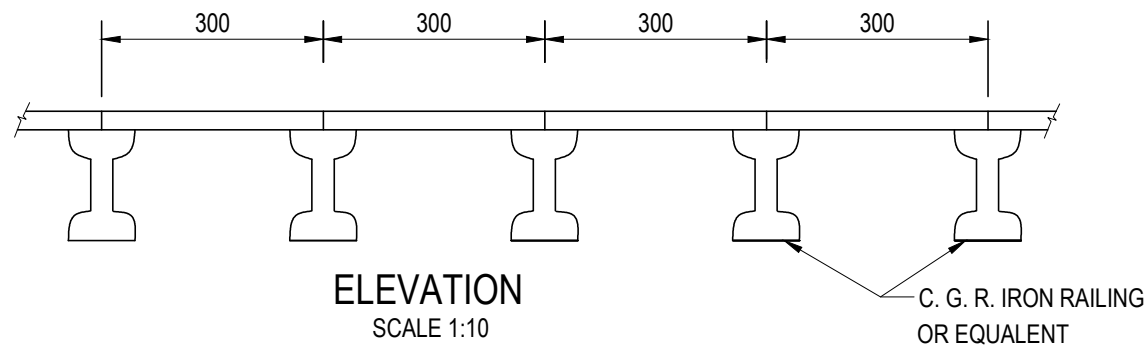
INSITU RCC DRAIN DETAIL - TYPE 03

SCALE - 1:10



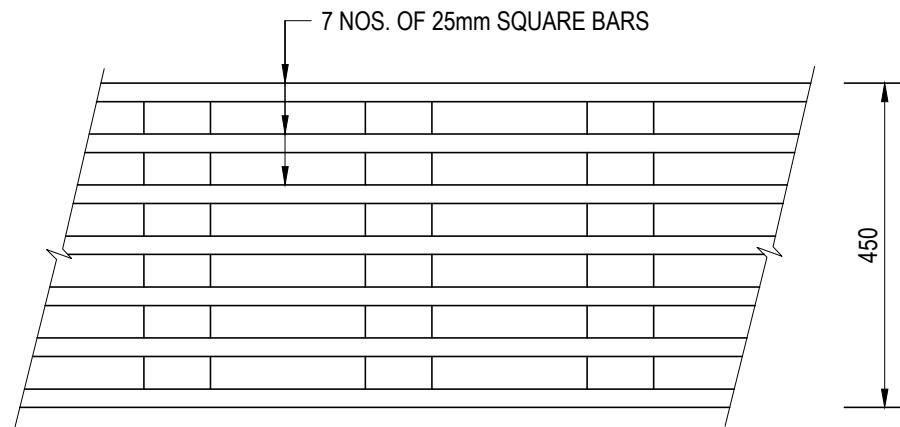
TYPICAL CROSS SECTION - TYPE 02

SCALE - 1:10



ELEVATION

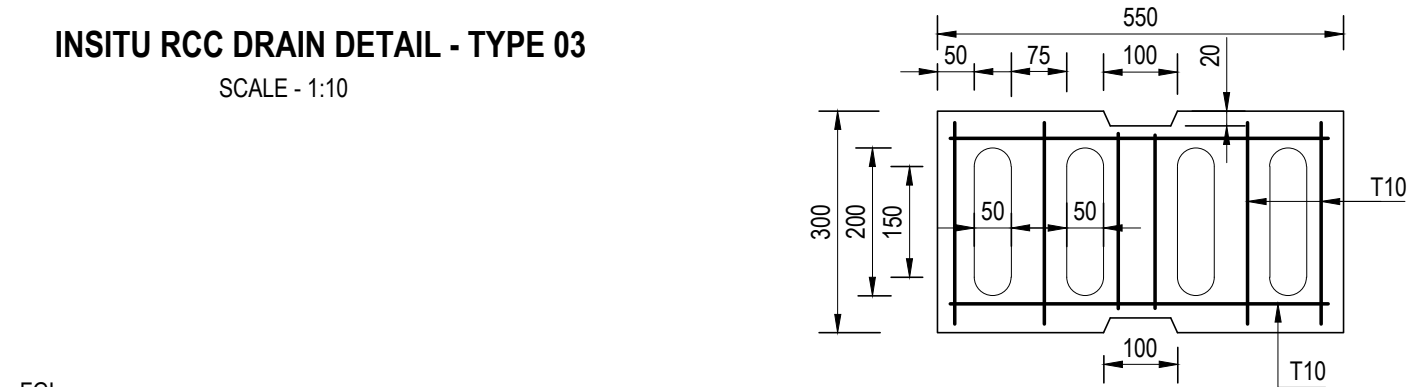
SCALE 1:10



IRON GRATING DETAILS

SCALE 1:10

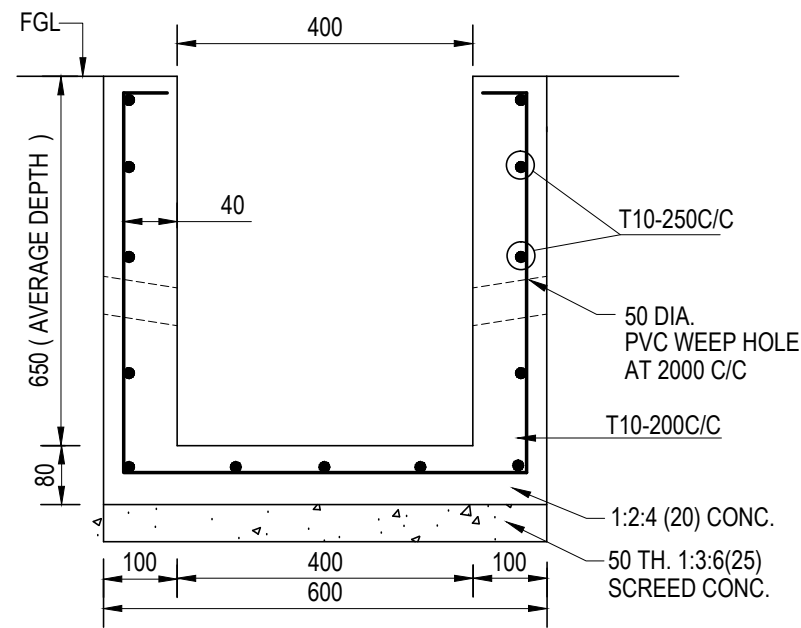
INSITU RCC DRAIN DETAIL COVERED WITH STEEL GRATING



COVER SLAB DETAIL

SCALE - 1:10

INSITU RCC DRAIN DETAIL WITH CONCRETE COVER SLAB



TYPICAL CROSS SECTION - TYPE 04

SCALE - 1:10

INSITU RCC OPEN DRAIN DETAIL