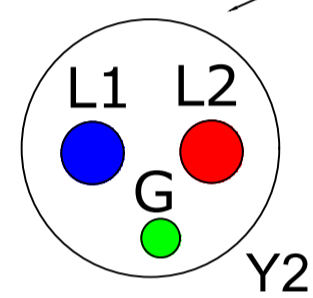


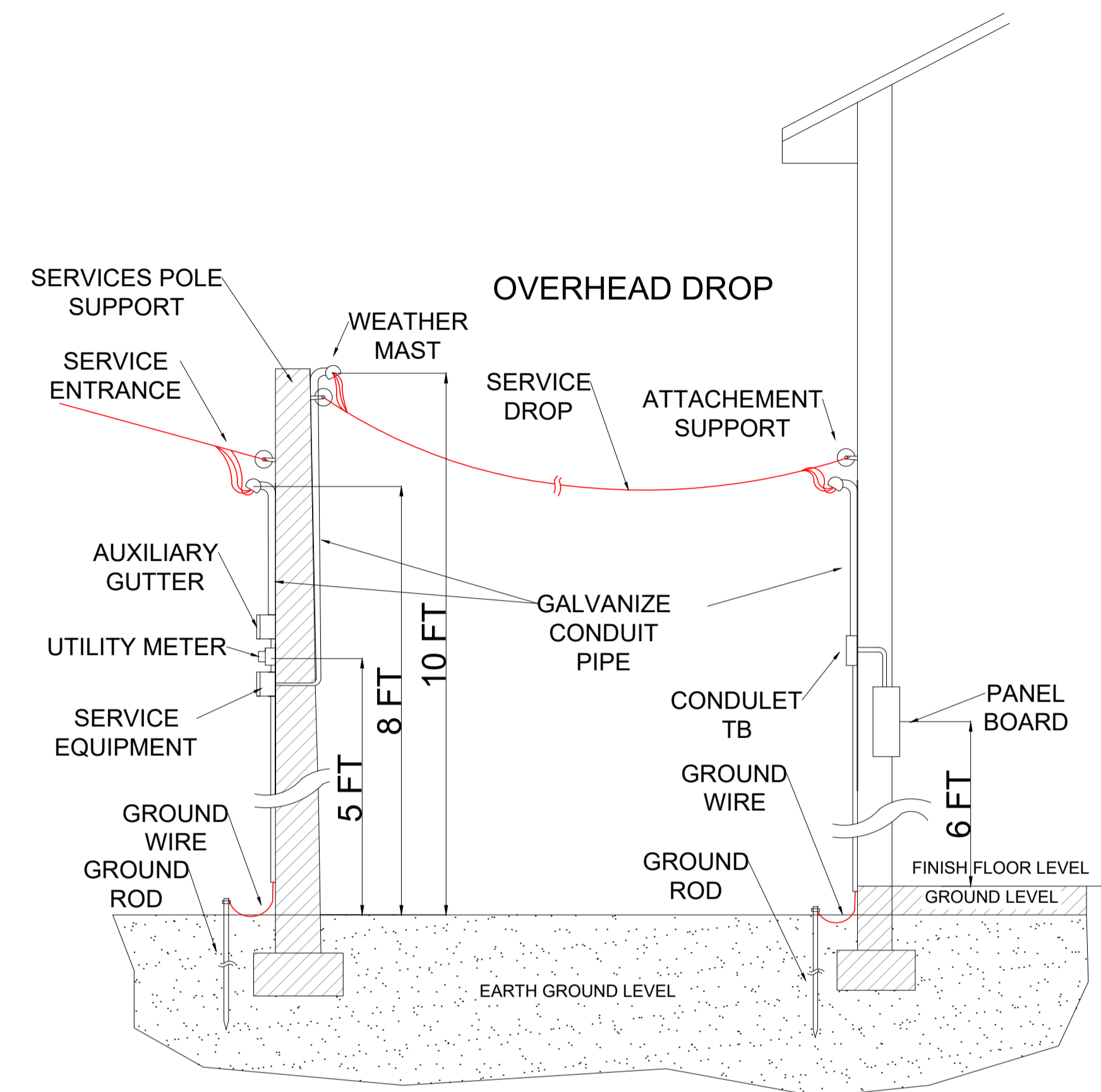
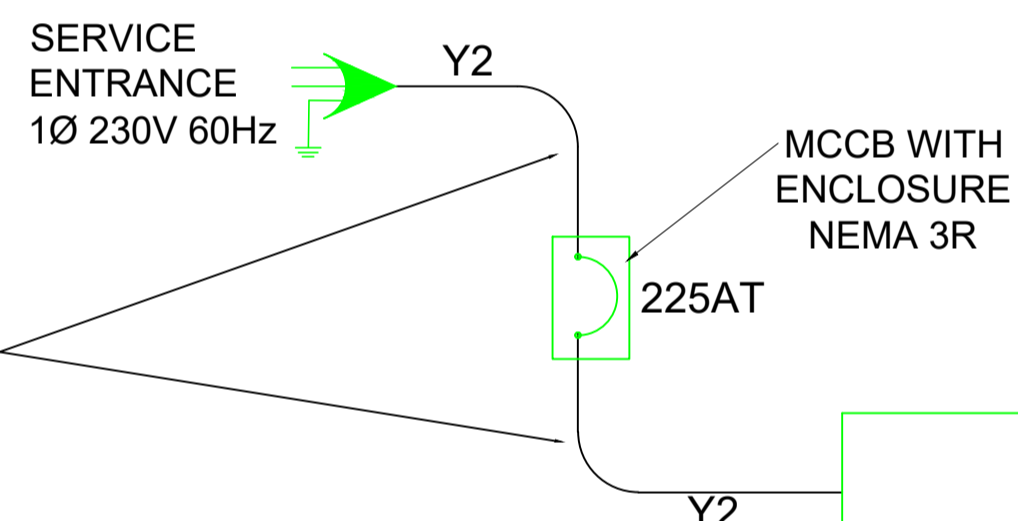
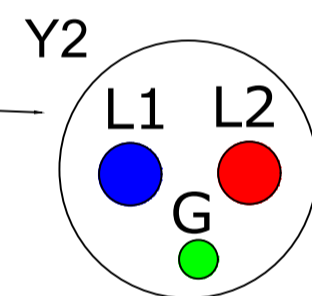
FEEDER CONDUIT & CABLE

- 21mm Ø IMC CONDUIT PIPE
- L1 - 14mm² THHN WIRE
- L2 - 14mm² THHN WIRE
- G - 8.0mm² TW GROUND WIRE

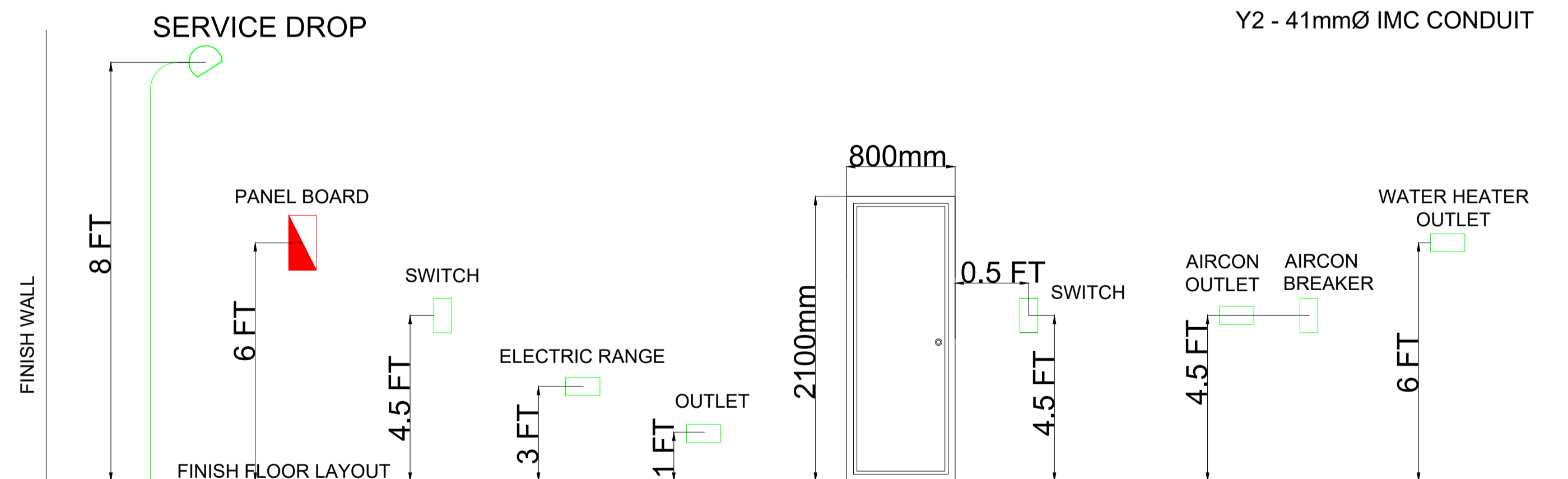


SERVICE CONDUIT & CABLE

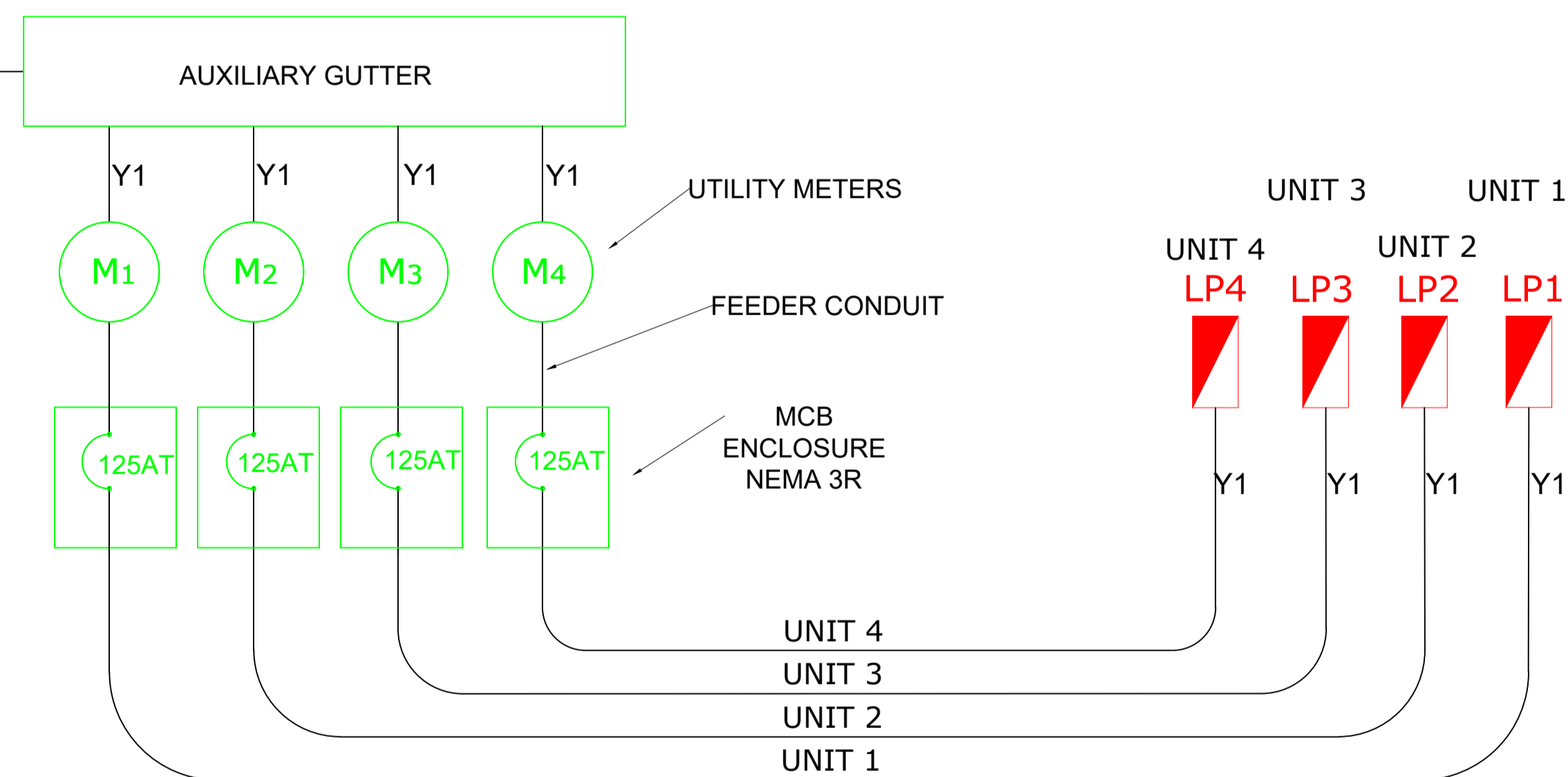
- 41mm Ø IMC CONDUIT PIPE
- L1 - 80mm² THW WIRE
- L2 - 80mm² THW WIRE
- G - 14mm² TW GROUND WIRE



SERVICE LAYOUT
SCALE 7-11 1:50MTS



SPECIFIED HEIGHT
SCALE 6-11 1:50MTS



RISER DIAGRAM
SCALE 8-11 1:50MTS

DESIGNER:		PEE:		PROJECT TITLE:		APPROVED BY:		REVISIONS		SHEET CONTENTS:		SHEET NO.	
				PROPOSED 2 STOREY TOWNHOUSE (ELECTRICAL DESIGN LAYOUT)				DRAWN BY:		SPECIFIED HEIGHT SERVICE LAYOUT RISER DIAGRAM			
PRC:		VALID:				OWNER:		DATE:					
PTR:		DATE:						REVISION:					
								REV. DATE:					
												PAGE 3 OF 4	